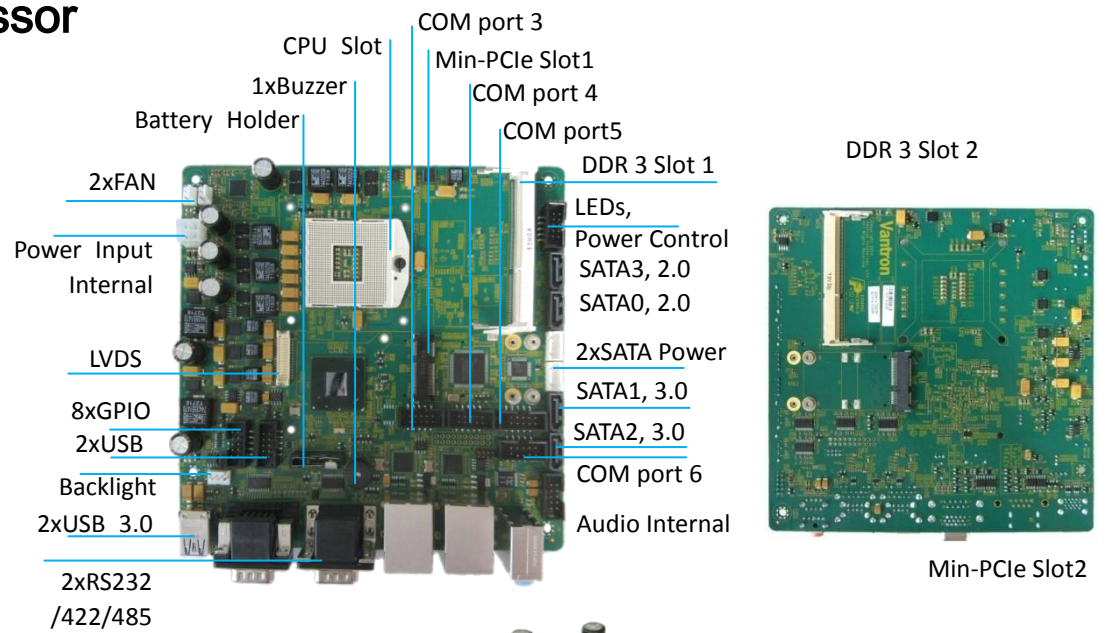


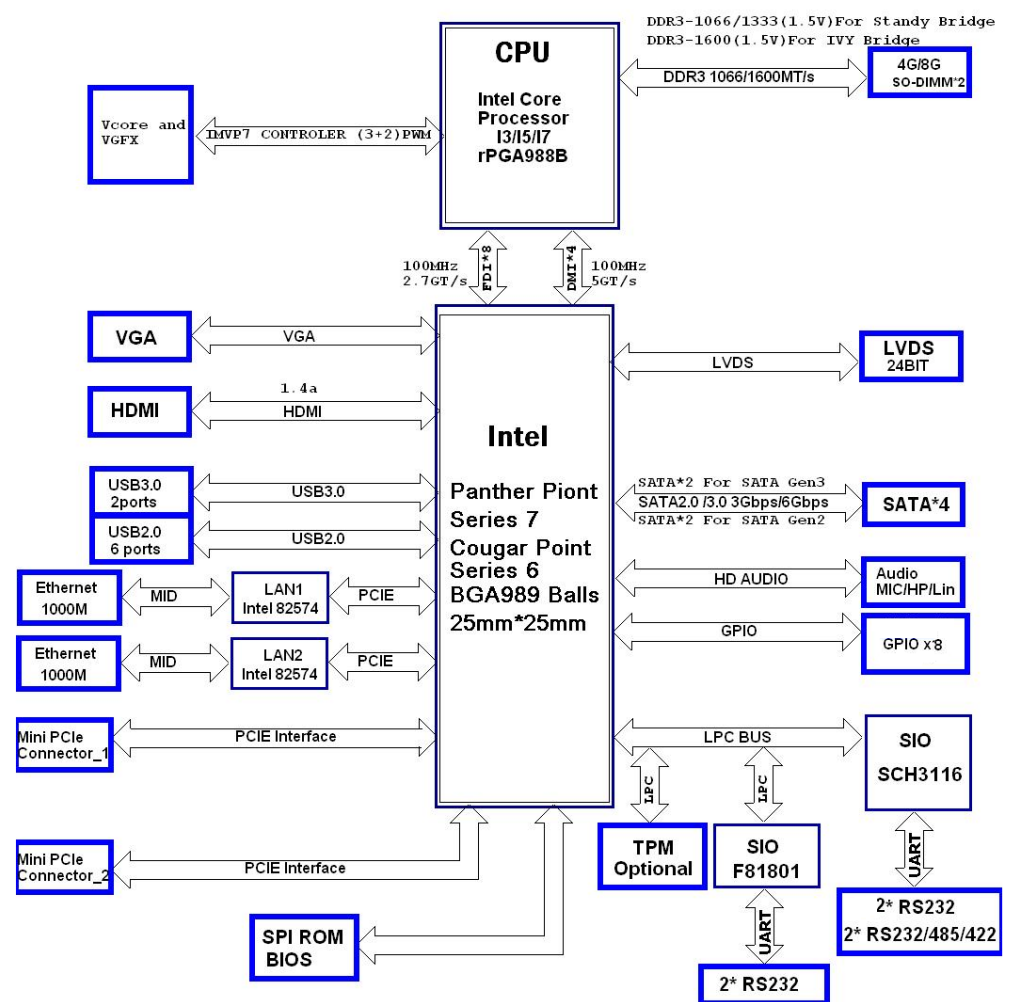
VT-mITX-IVY, with Intel®Core™ i3/i5/i7 Processor

Features	
■	Intel Core i3/i5/i7 GEN 3th Processor
■	Intel System Panther Point QM77
■	2xSODIMM DDRIII1066 to 1600MHz, 4GB up to 8GB
■	Mini-ITX 170MMx170MM
■	Dual Display supported
■	2xGigabit Ethernet
■	HD audio Interface(MIC/HeadPhone/LINEIN)
■	2xSATAII, 2xSATAIII
■	Windows, Linux Supported
■	Standard AT Power Supply, 9~22V
■	Operate Temperature : 0°C ~ +60°C



VT-mITX Board Specifications

Standard		Mini-ITX (170MMX170MM Size)
System	Processor	Intel® Mobile Sandy/Ivy Bridge i7/i5/i3
	DDRAM	2 Channel SODIMM DDRIII 1066MHz-1600MHz, per Channel up to 4GB,Max up to 8GB
	Chipset	Intel® Platform QM77
	Storage	2xSATAII, 2xSATAIII interface
	H/W Status	Support CPU Temperature monitoring
Display	Chipset	Intel® HD Graphics Support DX10.1,OGL3.0 Support Full-HD(1080p) video decoding
	Memory	Shared memory up to 512MB
	Resolutions	Up to 1920 x 1220 @ 60Hz for LVDS Up to 1920 x 1200 @ 60Hz for HDMI Up to 2048 x 1536 @ 60Hz for VGA
	LCD	24 bit Double-Channel LVDS panel interface
	VGA	1x VGA connector
	HDMI	1x HDMI connector output
	I/O	Audio
Ethernet	2xLAN Intel 8574L,10/100/1000Mbps,	
USB	6x USB2.0 Host, 2xUSB 3.0	
GPIO	8xGPIOs	
PCIe	2xMini PCI-Express for Intel WLAN supported WIDI	
UART	4x RS232(IDC 2x5x2.54mm) 2x RS232/485/422 configurable (DB9)	
RTC/Watch Dog	Supported	
Software	OS	Windows, Linux Supported
	SDK	Supported
Power	Input	+9V~+22V DC INPUT
	Dimensions	170MM x 170MM
Mechanical	Gross Weight	250g
	Temperature	Operating:0~60°C Storage: -40°C ~ +85°C
Environment Condition	Humidity	10-85%RH (Non-Condensation),Operating & Storage
	Cooling Mode	Fan, Heat pipe heat spread



Order Information	
VT-mITX-IVY-QM77	IVY Bridge I7, 2xGiga ETH, 4xRS232, 2xRS422/485, 6xUSB2.0,2xUSB3.0

NOTES: All specifications are subject to change without notice. Please contact Vantron for additional requirements.



US Office: Vantron Technology, Inc.
Address: 440 Boulder Court, Suite 300 pleasanton, CA 94566
Tel: 510-304-7666
Email: sales@vantrontech.com

China Office: Chengdu Vantron Technology, Ltd
Address: 3rd floor, 3rd building, No. 9, 3rd WuKe East Street, WuHou District, Chengdu, P.R. China 610045
Tel: 86-28-8512-3930/3931, 8515-7572/6320
Email: sales@vantrontech.com.cn