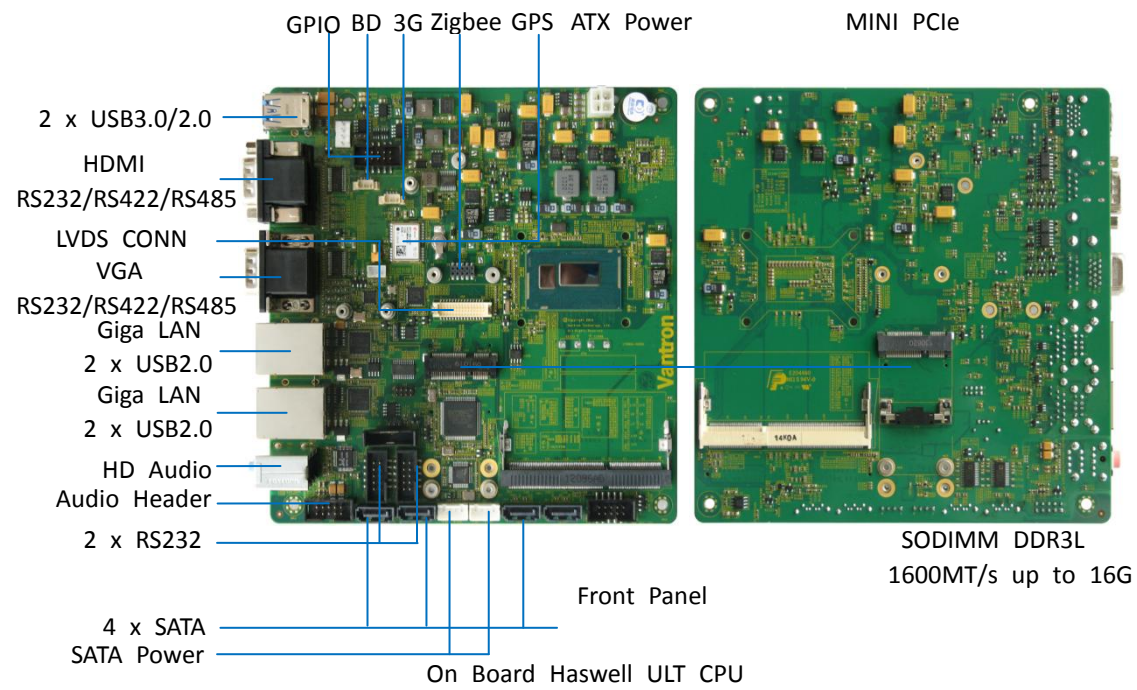
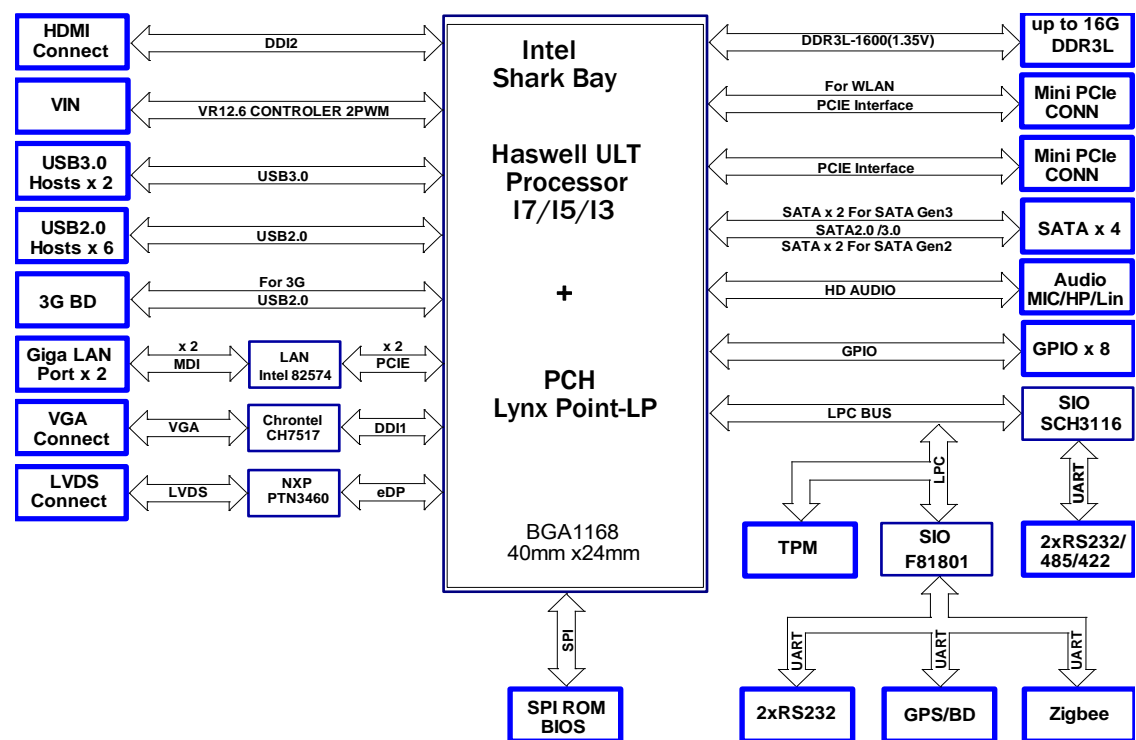


VT-mITX-HSWB, with Intel®Core™ i3/i5/i7 Processor

Features	
■	Intel Core i3/i5/i7 Processor, i3-4010U/1.7GHz to i7-4650U/3.3GHz
■	Integrated on-package with Lynx Point-LP
■	2x SODIMM DDR3L 1600MT/s, up to 16GB
■	Mini-ITX 170mm x 170mm
■	Triple Display supported
■	Gigabit Ethernet x 2
■	HD audio Interface
■	4x SATA3.0
■	WES, Win7 Pro 64Bit, Win8 64Bit, Linux Supported
■	Wide Range Power Supply (9-22V)
■	Operate Temperature Available: 0°C ~ +60°C



VT-mITX-HSWB Board Specifications		
Standard	Mini-ITX ( 170mm x 170mm Size)	
System	Processor	Intel® Mobile Haswell i3/i5/i7, i3-4010U/1.7G, i5-4300U/2.9G, i7-4650U/3.3G
	SDRAM	2 Channel SODIMM DDR3L 1600MT/s, up to 16GB
	Chipset	Integrated on-package with Lynx Point-LP
	Storage	4x SATA3.0
	H/W Status	Support CPU Temperature monitoring
Display	Chipset	Next Generation Intel® HD Graphics with OpenCL 1.2, OpenGL 4.0 and DirectX11.1 support; up to three independent displays: HDMI 1.4, DVI, DisplayPort 1.2; High performance hardware MPEG-2 decoding, WMV9 (VC-1) and H.264 (AVC) support Blu-ray support @ 40 MBit/s
	Memory	Shared memory up to 1024MB
	Resolutions	Up to 1920 x 1200 @ 60Hz for LVDS Up to 2560 x 1600 @ 60Hz for HDMI Up to 1920 x 1200 @ 60Hz for VGA
	LCD	24 bit Double-Channel LVDS panel interface
	VGA	1x VGA connector
	HDMI	1x HDMI connector
	USB	6 x USB2.0 Hosts, 2 x USB3.0/USB2.0 Hosts
I/O	Ethernet	2 x Giga LAN, Intel 82574L, 10/100/1000Mbps,
	Audio	Digital High Definition Audio Interface with support for multiple audio codecs
	GPIO	8 x GPIOs
	PCIe	2 x Mini PCI-Express
	SMBus	1 x SMBus
	UART	2x RS232, 2x RS232/485/422
	RTC/Watch Dog	Supported
	Other Module	3G/GPS/BD/Zigbee/Bluetooth/TPM Supported
	OS	WES, Win7 Pro 64bit, Win8 64Bit, Linux Supported
	SDK	Supported
Power	Input	Wide Range Power Supply (9-22V)
Mechanical	Dimensions	170mm x 170mm
Environment Condition	Temperature	Operating: 0°C ~ +60°C Storage: -40°C ~ +85°C
	Humidity	10-95%RH(Non-Condensation), Operating & Storage
	Cooling Mode	Fanless, Heat Sink



NOTES: All specifications are subject to change without notice. Please contact Vantron for additional requirements.



US Office: Vantron Technology, Inc.  
Address: 440 Boulder Court, Suite 300 Pleasanton, CA 94566  
Tel: 510-304-7666  
Email: sales@vantrontech.com

China Office: Chengdu Vantron Technology, Ltd  
Address: 3rd floor, 3rd building, No. 9, 3rd WuKe East Street, WuHou District, Chengdu, P.R. China 610045  
Tel: 86-28-8512-3930/3931, 8515-7572/6320  
Email: sales@vantrontech.com.cn