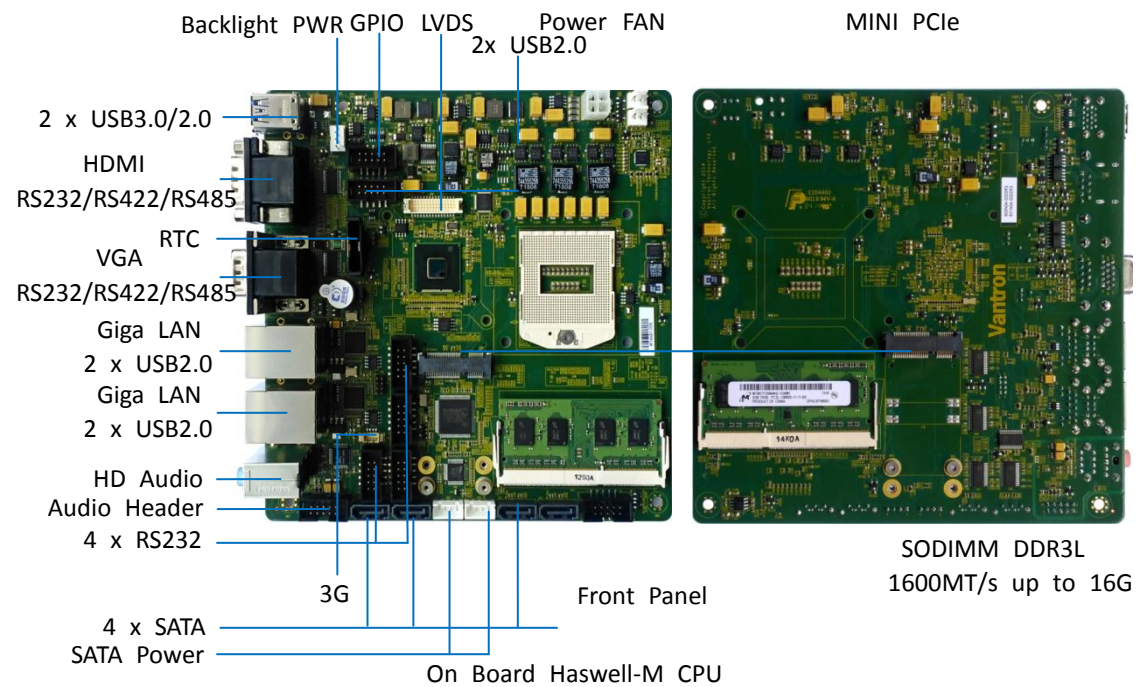


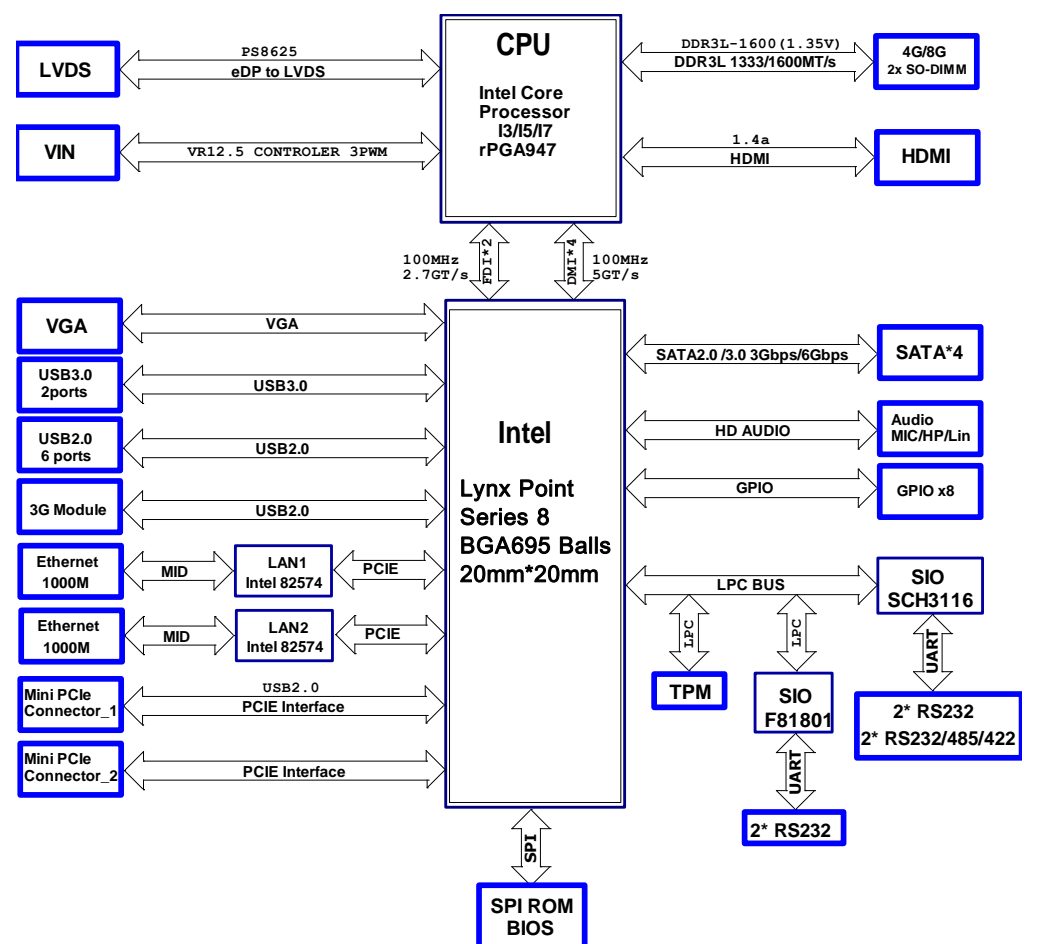
VT-mITX-HSW GEN3, with Intel®Core™ i3/i5/i7 Processor

Features	
■	Intel Core Haswell-M i3/i5/i7 Processor
■	Intel Chipset 8Series, BD82QM87, BD82HM87, BD82HM86
■	2x SODIMM DDR3L 1600MT/s, up to 16GB
■	Mini-ITX 170mm x 170mm
■	Triple Display supported
■	2x Gigabit Ethernet
■	HD audio Interface
■	4x SATA3.0(2x SATA3.0 for BD82HM86)
■	WES7, Win7 Pro 64Bit, Win8 64Bit, Linux Supported
■	9~22V Power Supply
■	Operate Temperature Available: 0°C ~ +60°C



VT-mITX Board Specifications

Standard		Mini-ITX (170mm x 170mm Size)
System	Processor	Intel® Mobile Haswell-M i7/i5/i3
	SDRAM	2 Channel SODIMM DDR3L 1600MT/s, up to 16GB
	Chipset	Intel Chipset 8Series, BD82QM87, BD82HM87, BD82HM86
	Storage	4x SATA3.0
	H/W Status	Support CPU Temperature monitoring
Display	Chipset	Next Generation Intel® HD Graphics with OpenCL 1.2, OpenGL 4.0 and DirectX11.1 support; up to three independent displays: HDMI 1.4a, DVI, DisplayPort 1.2; High performance hardware MPEG-2 decoding, WMV9 (VC-1) and H.264 (AVC) support Blu-ray support @ 40 MBit/s
	Memory	Shared memory up to 1024MB
	Resolutions	Up to 1920 x 1200 @ 60Hz for LVDS Up to 2560 x 1600 @ 60Hz for HDMI Up to 1920 x 1200 @ 60Hz for VGA
	LCD	24 bit Double-Channel LVDS panel interface
	VGA	1x VGA connector
	HDMI	1x HDMI connector
I/O	USB	8 x USB2.0 Hosts, 2 x USB3.0/USB2.0 Hosts
	Ethernet	2 x Giga LAN, Intel 82574L, 10/100/1000Mbps
	Audio	Digital High Definition Audio Interface with support for multiple audio codecs
	GPIO	8 x GPIOs
	PCIe	2 x Mini PCI-Express
	LPC	1 x LPC BUS
	UART	4x RS232, 2x RS232/485/422
	RTC/Watch Dog	Supported
	3G	1x 3G Module
	OS	WES7, Win7 Pro 64bit, Win8 64Bit, Linux Supported
	SDK	Supported
	Power	Input 9~22V Power Supply
Mechanical	Dimensions 170mm x 170mm	
Environment Condition	Temperature	Operating: 0°C ~ +60°C Storage: -40°C ~ +85°C
	Humidity	10-95%RH(Non-Condensation), Operating & Storage
	Cooling Mode	Fan



NOTES: All specifications are subject to change without notice. Please contact Vantron for additional requirements.



US Office: Vantron Technology, Inc.
Address: 440 Boulder Court, Suite 300 Pleasanton, CA 94566
Tel: 510-304-7666
Email: sales@vantrontechnology.com

China Office: Chengdu Vantron Technology, Ltd
Address: 3rd floor, 3rd building, No. 9, 3rd WuKe East Street, WuHou District, Chengdu, P.R. China 610045
Tel: 86-28-8512-3930/3931, 8515-7572/6320
Email: sales@vantrontechnology.com.cn