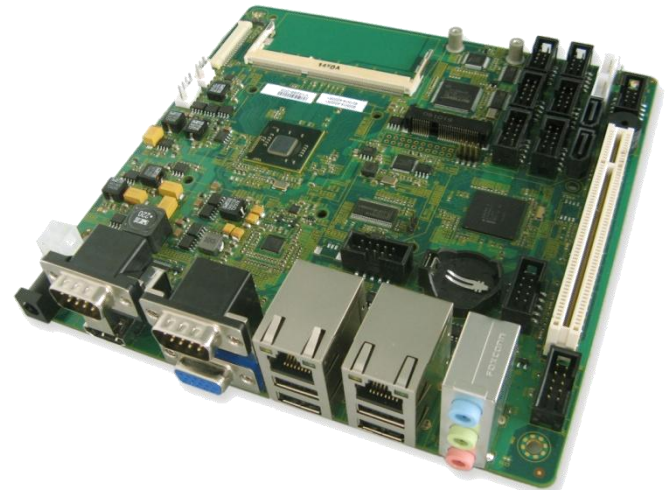
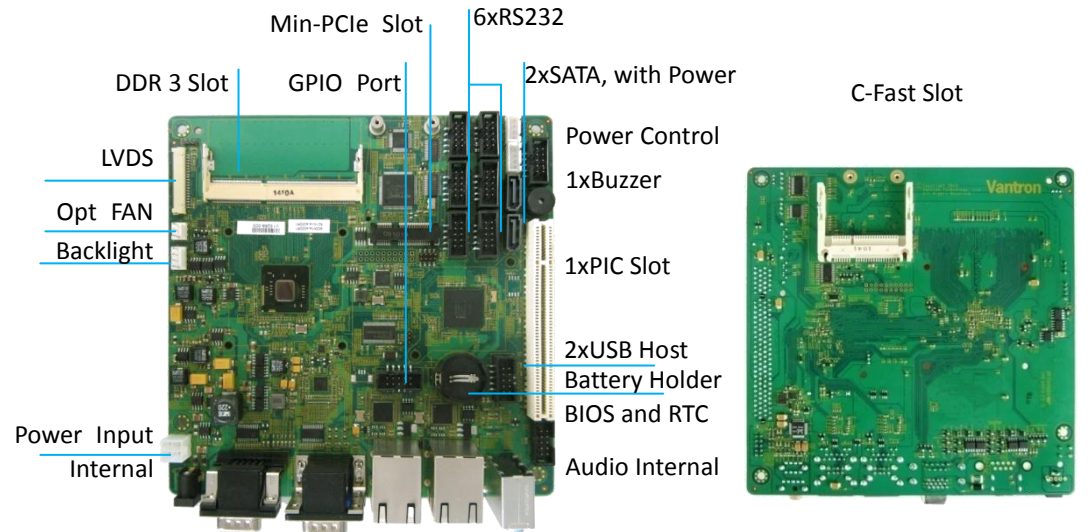
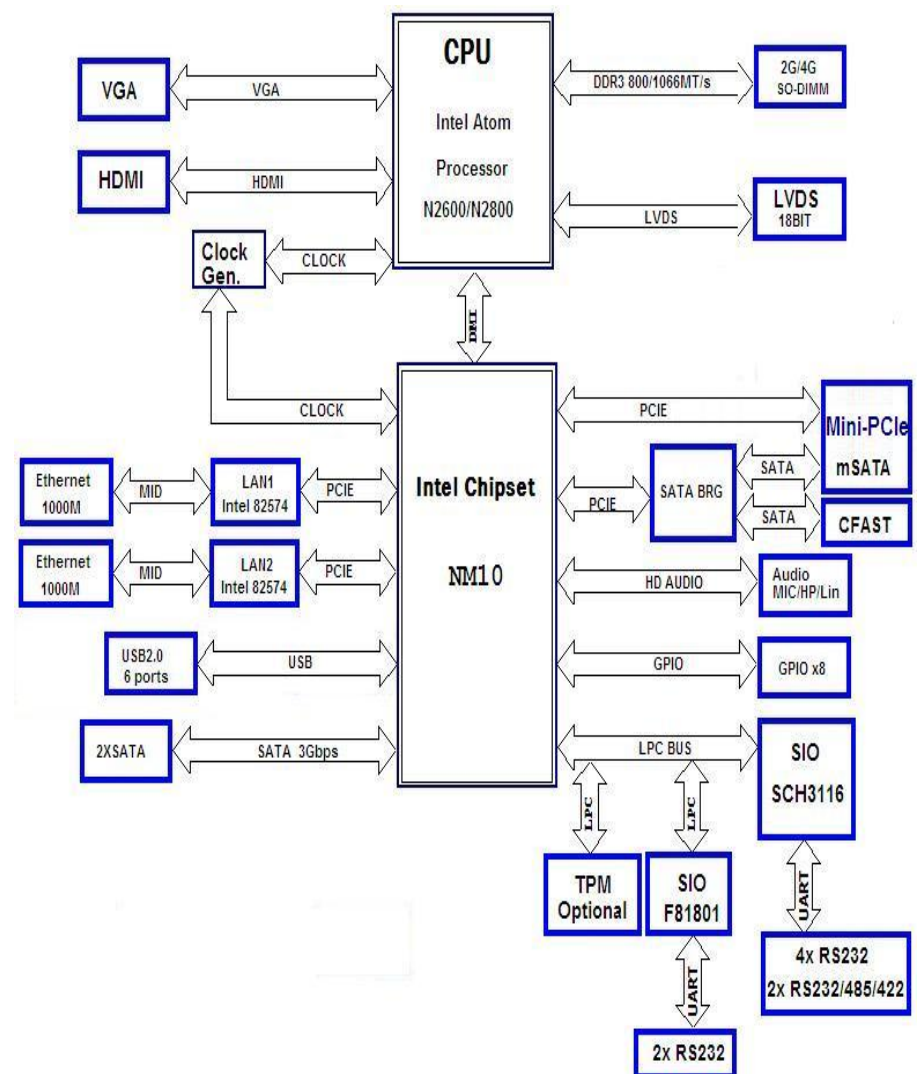


VT-mITX-CV, with Intel®, ATOM™, N2600/N2800 Dual-Core Processor

Features	
■	Intel ATOM™, N2600/1.6GHz, N2800/1.86GHz
■	Intel® Platform Controller Hub NM10
■	1xSODIMM DDRIII 800MHz-1066MHz, 512MB, up to 4GB
■	Mini-ITX 170 x170mm
■	Dual Display supported
■	2xGigabit Ethernet
■	HD audio Interface
■	2xSATAII, 2xSATAIII
■	Windows, Linux Supported
■	Standard AT Power Supply, 12/19V (9-24V)
■	Wide Temperature Available: -0°C ~ +60°C



VT-mITX Board Specifications		
Form Factor		Mini-ITX (17cmX17cm Size)
System	Processor	Intel® ATOM™, N2600/1.6GHz, N2800/1.86GHz 32nm, Dual Core, 512KB L2 Cache
	DDRAM	1xSODIMM DDRIII 800MHz-1066MHz, 512MB, up to 4GB N2600 up to 2GB, N2800 up to 4GB.
	Chipset	Intel® Platform Controller Hub NM10
	I/O Chipset	Intel® Platform Controller Hub NM10
	Storage	2x SATAII, 300MB/s, support SSD 1xmSATA (Optional), support SSD 1x CFAST card slot type I/II (Optional), support SSD
	H/W Status	Support CPU Temperature monitoring
	TPM	TPM 1.2, Internal header (optional)
	Display	Chipset
Memory		Shared memory up to 512MB
Resolutions		Up to 1366 x 768 @ 60Hz for LVDS Up to 1920 x 1200 @ 60Hz for HDMI Up to 1920 x 1200 @ 60Hz for VGA
LVDS		1x18 bit Single-Channel LVDS panel interface
HDMI		1x HDMI connector
VGA		1x VGA connector
Display Mode		VGA+HDMI, VGA+LVDS, Support extended and clone mode
I/O		Audio
	Ethernet	2x 10/100/1000Base-T with RJ45, in Rear I/O
	USB	6x USB2.0 Host (2 ports in Rear I/O)
	GPIO	8xGPIOs
	PCIe	1x Mini PCI-Express Slot (optional for mSATA)
	PCI	1x PCI Bus(Optional)
	SMBus	1x SMBus, internal header
	Serial Port	7x RS232, (1 port (Full)/485/422 in Rear I/O, 4 Full and 2 port 2wires) 1x RS232(Full)/485/422, in Rear I/O
	RTC/Watch Dog	Supported
	Software	OS
SDK		Supported
Power	Input	AT Power Supported, 12/24V DC (9-36V), 1xDC Jack, 2x2 Connector (power up automatically or by power button)
	Dimensions	170mm x 170mm (6.69"x6.69")
Mechanical	Gross Weight	250g
	Environment Condition	Temperature
Humidity		10-85%RH(Non-Condensation), Operating & Storage
Cooling Mode		Fan less, Heat Sink



Order Information

VT-mITX-CV-26-2GM	Intel ATOM™, N2600, 2GB DDRIII, 2xGiga ETH
VT-mITX-CV-28-4GM	Intel ATOM™, N2800, 4GB DDRIII, 2xGiga ETH

NOTES: All specifications are subject to change without notice. Please contact Vantron for additional requirements.



US Office: Vantron Technology, Inc.
Address: 440 Boulder Court, Suite 300 Pleasanton, CA 94566
Tel: 510-304-7666
Email: sales@vantrontech.com

China Office: Chengdu Vantron Technology, Ltd
Address: 3rd floor, 3rd building, No. 9, 3rd WuKe East Street, WuHou District, Chengdu, P.R. China 610045
Tel: 86-28-8512-3930/3931, 8515-7572/6320
Email: sales@vantrontech.com.cn