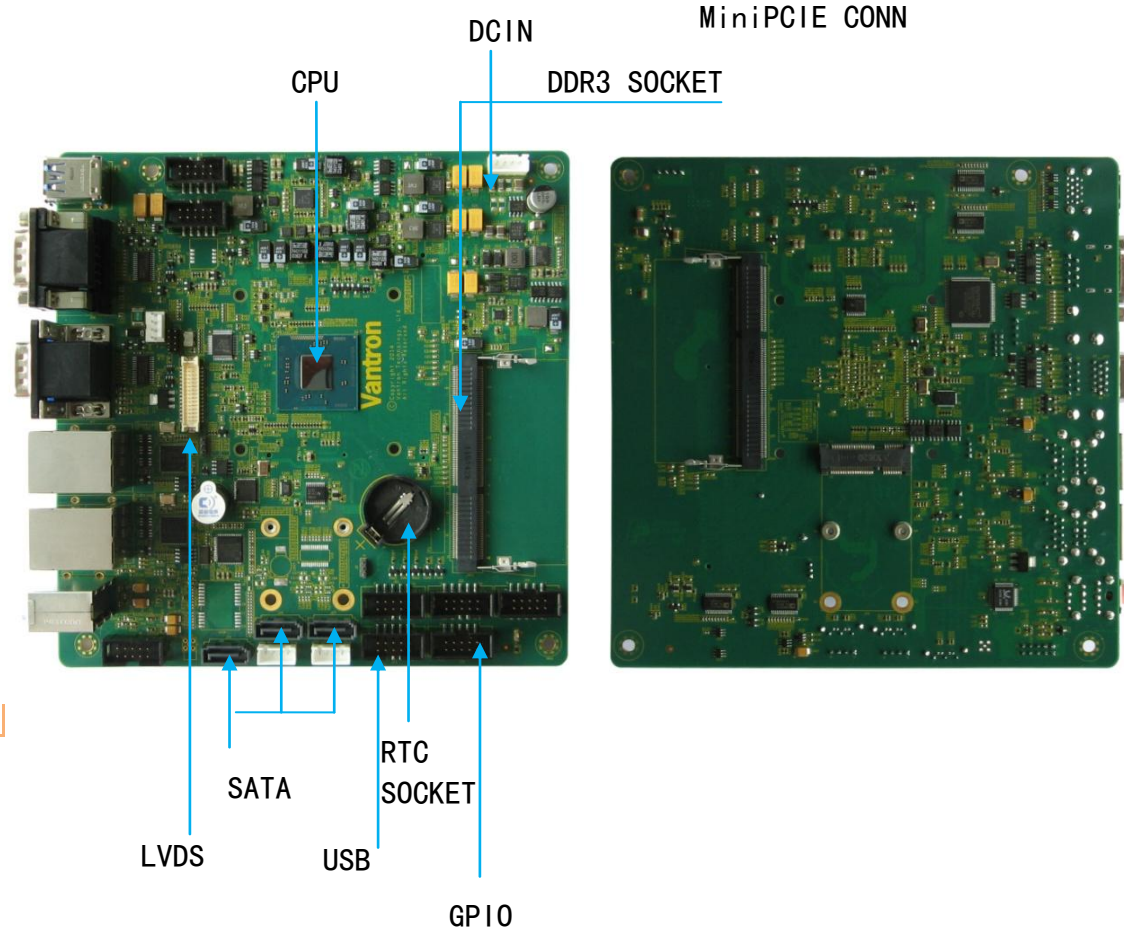


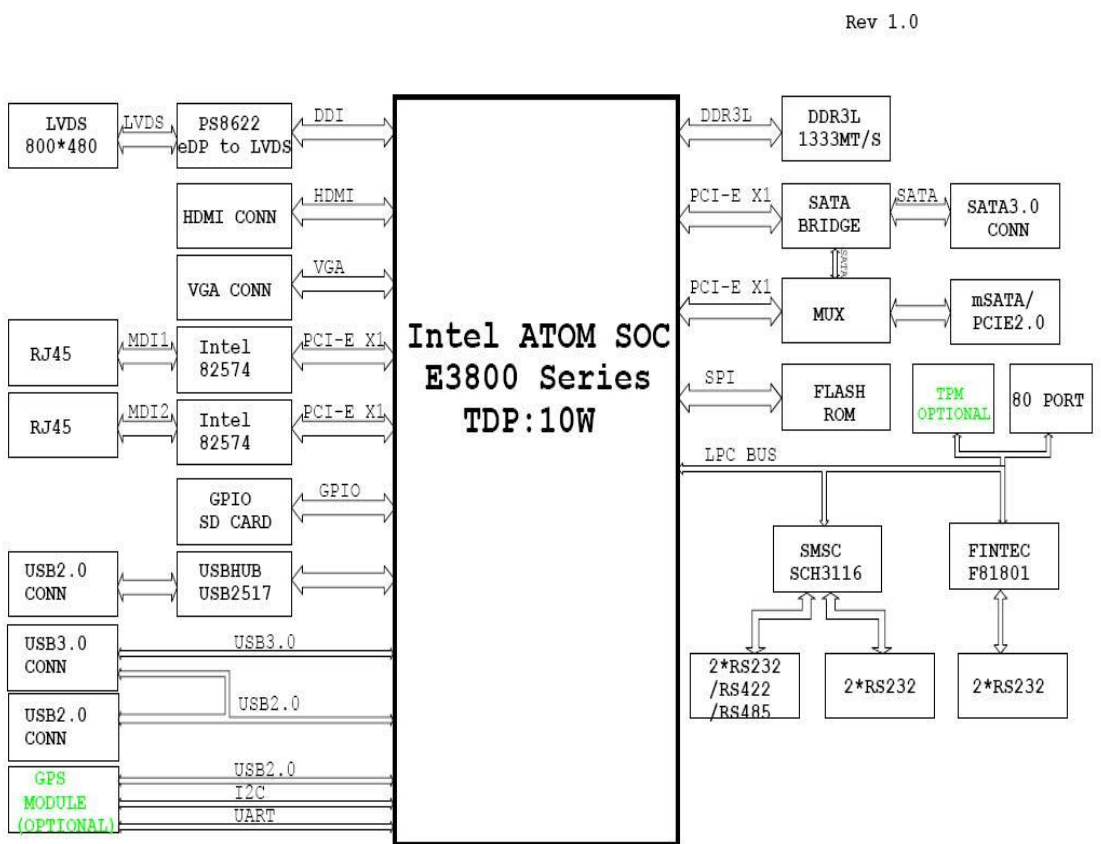
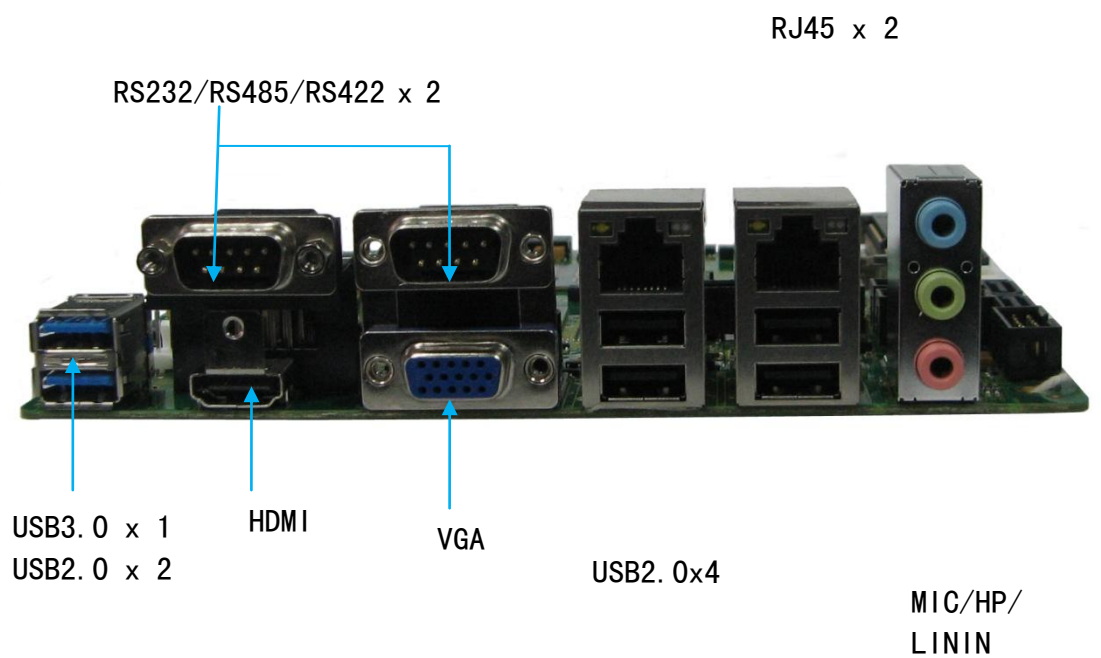
VT-mITX-BT, with Intel®ATOM™ Processor

Features	
■	Intel ATOM Processor ,E3845/1.91GHz,E3827/1.75GHz,E3815/1.46GHz
■	2xSODIMM DDRIII1066 to 1333MT/s, up to 8GB
■	Mini-ITX 170MM x170MM
■	Dual Display supported
■	Gigabit Ethernet x 2
■	HD audio Interface(MIC/HeadPhone/LINEIN)
■	4 x SATA2.0( 3 x standard SATA2.0,1 x mSATA( Optional with Mini-PCIE )
■	Windows7,Windows8,Linux Supported
■	Wide Voltage range support(+9V~+36V)
■	Operate Temperature Available: -40°C ~ +85°C



VT-mITX-BT Board Specifications

Standard		Mini-ITX ( 170MMX170MM Size)
System	Processor	Intel® ATOM Processor E3845/QUAD, E3827/DUAL E3815/SINGLE
	DDRAM	2 Channel SODIMM DDRIII 1066-1333MT/s, per Channel up to 4GB
	Storage	3x SATAII,1x mSATA(Optional with miniPCIE)
	H/W Status	Support CPU Temperature monitoring
Display	Chipset	Gen7@>300MHz,Support LVDS/HDMI/VGA, simultaneous/ dual view display Decode:MPEG2, h.264, MVC, VC-1/WMV9 @1080p, VP8 Encode:MPEG2, h.264 @ 1080p
	Memory	Shared memory up to 256MB
	Resolutions	Up to 1680 x 1050 @ 60Hz for LVDS Up to 1920 x 1080 @ 60Hz for HDMI Up to 2560 x 1600 @ 60Hz for VGA
	LVDS	18/24 bit Single-Channel LVDS panel interface
	VGA	1x VGA connector
	HDMI	1x HDMI connector output
	Audio	HD Codec Line-out ,Line-in MIC-in
I/O	Ethernet	2 x LAN Intel 82574L,10/100/1000Mbps,
	USB	7x USB2.0 Host,1x USB3.0 Host
	GPIO	8 In or 8 Out
	PCIe	1xMini PCI-Express for Intel WLAN or mSATA
	UART	4x RS232(IDC 2x5x2.54mm) 2x RS232/485/422 configurable (DB9)
	RTC/Watch Dog	Supported
	Software	OS Win7 Pro 64bit , Win8 64Bit, Linux Supported SDK Supported
Power	Input Wide Voltage range support(+9V~+36V)	
Mechanical	Dimensions	170MM x 170MM
	Gross Weight	250g
Environment Condition	Temperature	Operating: -40°C ~ +85°C Storage: -40°C ~ +85°C
	Humidity	10-85%RH(Non-Condensation),Operating & Storage
	Cooling Mode	Fanless, Heat Sink



NOTES: All specifications are subject to change without notice. Please contact Vantron for additional requirements.



US Office: Vantron Technology, Inc.  
Address: 440 Boulder Court, Suite 300 pleasanton, CA 94566  
Tel: 510-304-7666  
Email: sales@vantrontech.com

China Office: Chengdu Vantron Technology, Ltd  
Address: 3rd floor, 3rd building, No. 9, 3rd WuKe East Street, WuHou District, Chengdu, P.R. China 610045  
Tel: 86-28-8512-3930/3931, 8515-7572/6320  
Email: sales@vantrontech.com.cn