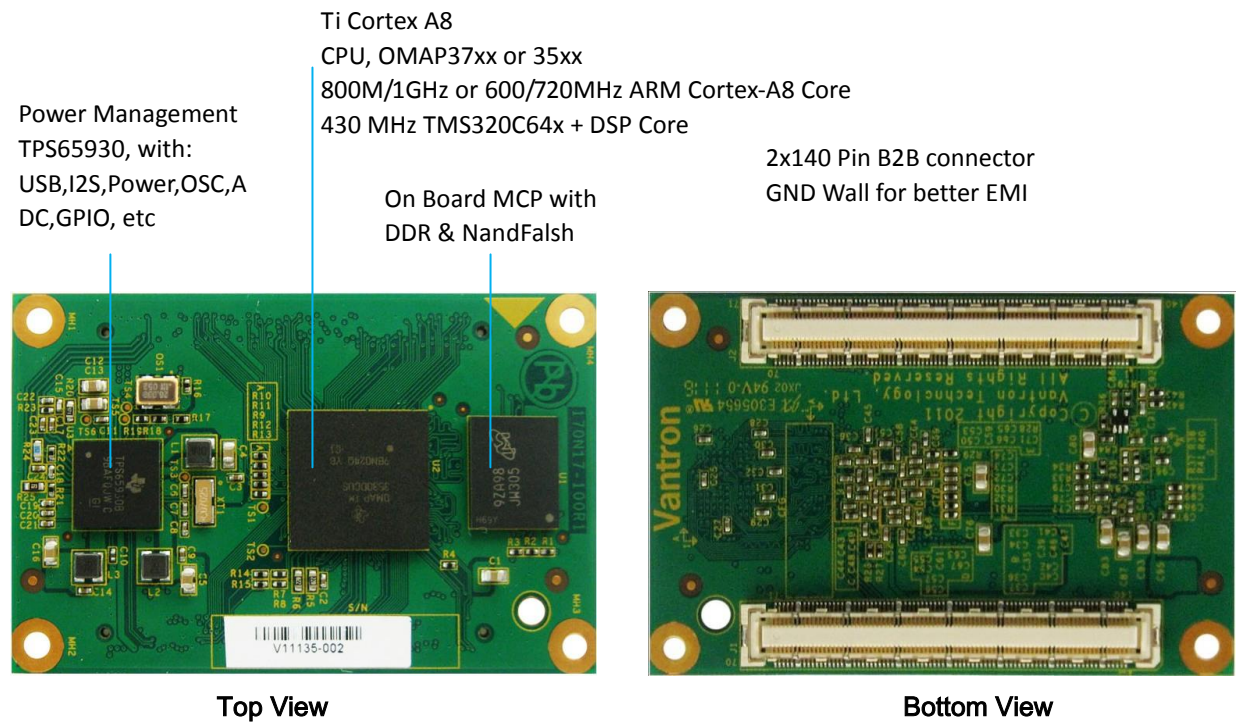
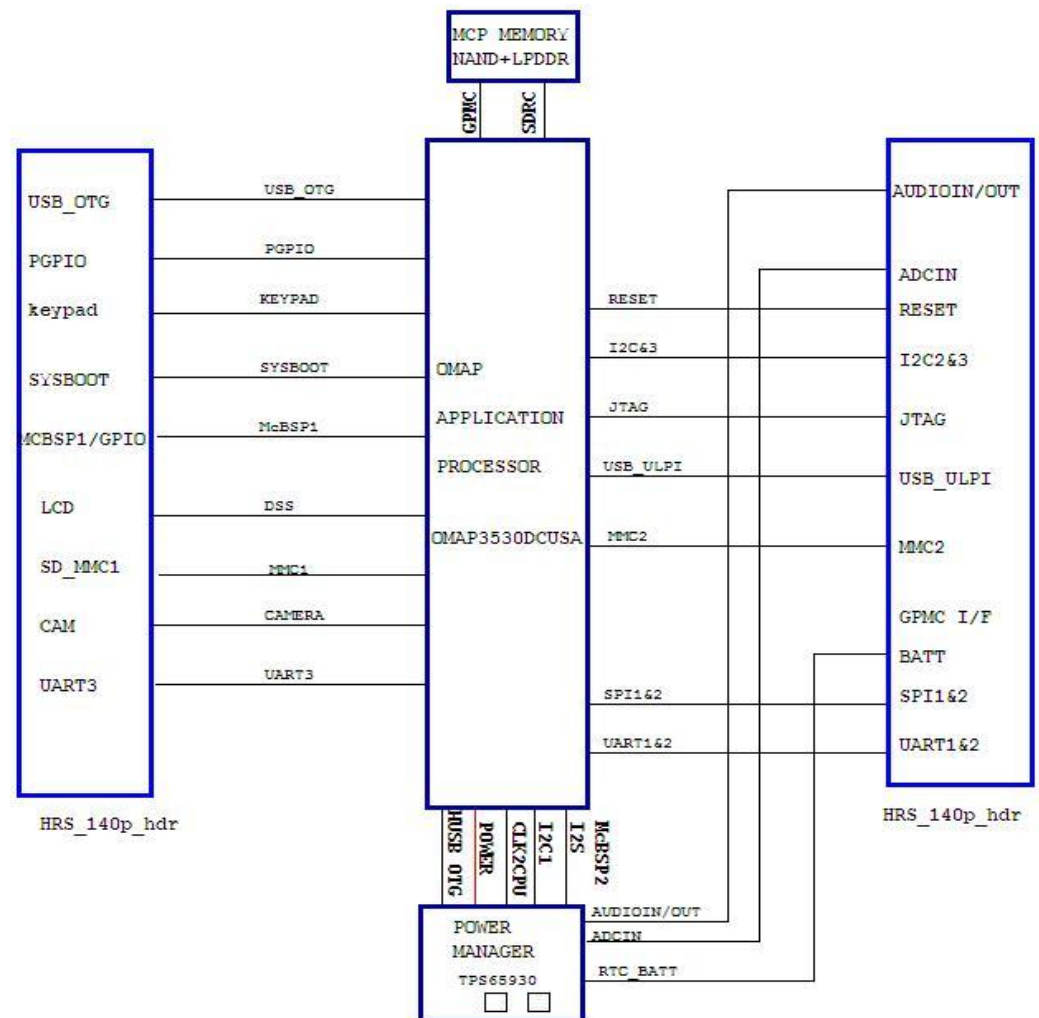


## CPU Board: VT-TurboG8-PB, Processor Board, with Onboard TI OMAP 35xx / 37xx series ARM Cortex A8 Processor

Features	
■	TI, DM/AM37xx (800M/1GHz) or OMAP 35xx (600/720MHz) Low Power Processor
■	On Board DDR 166MHz, 256MB ( 512MB optional)
■	On Board NAND Flash, 512MB (1GB Optional)
■	Display: LCD, LVDS, AV Output (CB extended VGA)
■	Resolution: XGA, WXGA, SXGA, HD720, max 2048x2048
■	2x140Pin B2B reliable Connector, EMI Consideration
■	2xMMC/SD Extended Memory
■	1xGPMC Bus
■	1xMCBSP Bus, up to 2xMCBSP Bus
■	1xUSB 2.0 Host ULPI, 1xUSB OTG 2.0, High Speed
■	3xUART(5wires), 2xI2C Bus, 2xSPI, up to 3xSPI
■	1xVideo/Camera Input, 12bit
■	6x6 Keypad Array
■	Audio Interface, MIC IN, Line Out R/L
■	1xRTC by TPS65930
■	3.3V Power Supply, Low Power design
■	Embedded Linux, WinCE, Supported



CPU Board Specifications		
System	Processor	TI, DM/AM37xx(800M/1GHz) or OMAP35xx(600/720MHz) ARM Cortex A8 Core, Floating unit, DSP Core available (DM/OMAP3x30,3x25), Power Management and IO by TPS65930
	On Board Memory	Flash and DDR in MCP: RAM: DDR 166MHz, 256MB ( 512MB optional) ROM: NAND Flash, 512MB (1GB Optional)
	Extended Memory	2xMMC/SD/SDHC
Display	Video Out	2D/3D Accelerator available(OMAP3x30,3x15) 1xLVDS/TTL, up to 2048x2048; 1xCVBS-S/RCA AV Output 1x24 bit DSS bus interface
	Audio	I2S Codec, MIC1/MIC2 input, Line Output R/L
Bus	GMPC	1xGPMC Bus
	MCBSP	1xMCBSP Bus, up to 2xMCBSP Bus
I/Os	USB	1xUSB2.0 Host High Speed (480Mbps) 1xUSB2.0 Client High Speed (480Mbps)
	COM Port	3xUART (5Wires) 2xI2C 2xSPI/SSP Interface
	IOs	6x6 array key board 16xGPIOs (up to 20GPIOs) 1xCamera Interface, 10bit
	RTC	Supported by TPS65930
Software	OS	Supported: Linux, WinCE
	SDK	Supported
Power	Input	3.3V Input, 1.8V Output
Mechanical	Dimensions	70 x 45mm
Environment Condition	Temperature	Operating: -20°C ~ +70°C, (ETR: -40°C ~ +85°C optional) Storage: -40°C ~ +85°C
	Humidity	10-85%RH (Non-Condensation), operating and storage
	Cooling Mode	Fanless



Order Code

VT- TurboG8-PB-AAASS-BBBM-CCCF-V

Version:

I: Extended Temperature

Blank: Commercial Temperature

Flash Memory Size: in MB, 128 or 256MB

DDR Memory Size: in MB, 128MB or 256MB

CPU speed: 60: 600MHz, 70:720MHz, 80 for800MHz, 1G: 1GHz

CPU series: 53/52/51/50: Means OMAP 3530/3525/3515/3503

73/72/71/70: Means OMAP 3730/3725/3715/3703

### Order Part Example

VT-TurboG8-PB-5360-256M-512F-I	TI OMAP 3530 600MHz CPU, 512MB DDR, 256MB Flash, ETR
VT-TurboG8-PB-7380-512M-512F	TI OMAP 3730 800MHz CPU, 512MB DDR, 512MB Flash

### NOTES:

All specifications are subject to change without notice. Please contact Vantron for additional requirements.

US Office: Vantron Technology, Inc.

Address: 440 Boulder Court, Suite

300 pleasanton, CA 94566

Tel: 510-304-7666

Email: sales@vantrontechnology.com

China Office: Chengdu Vantron Technology, Ltd

Address: 3rd floor, 3rd building, No. 9, 3rd WuKe East

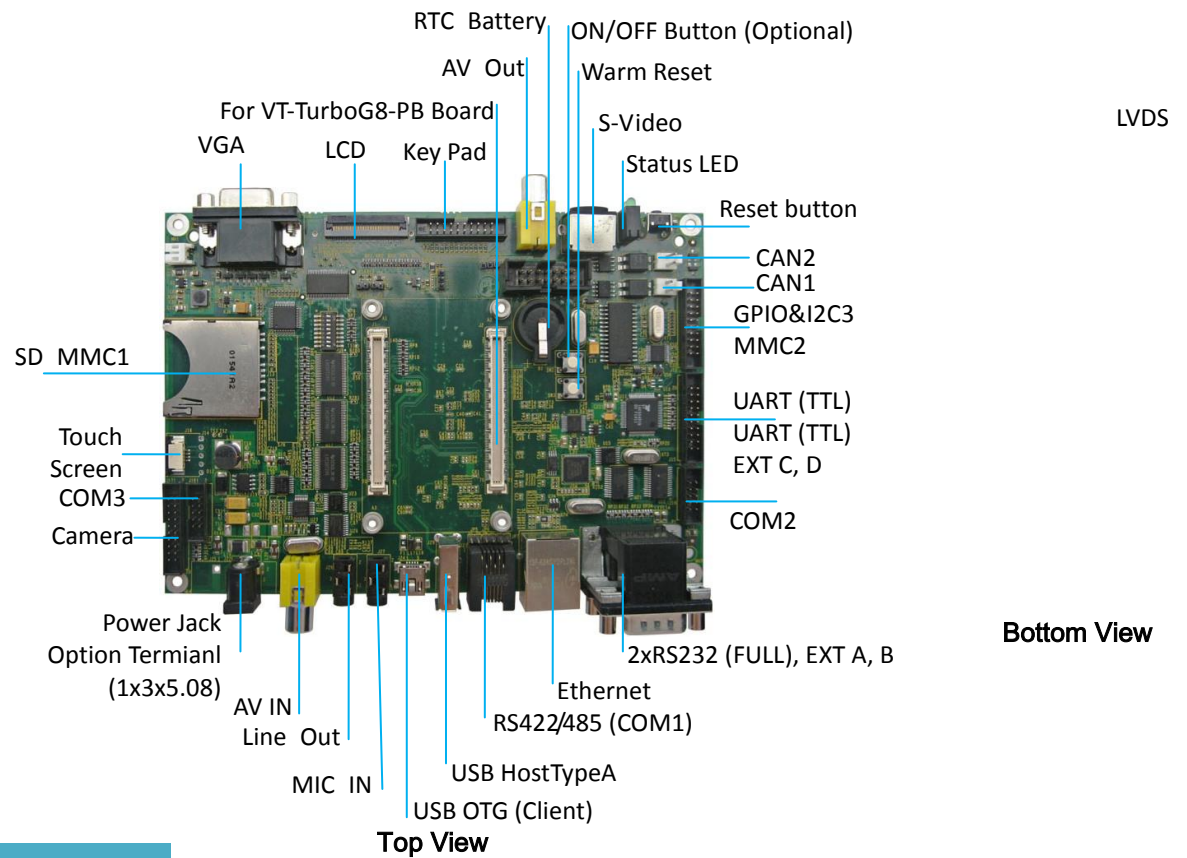
Street, WuHou District, Chengdu, P.R. China 610045

Tel: 86-28-8512-3930/3931, 8515-7572/6320

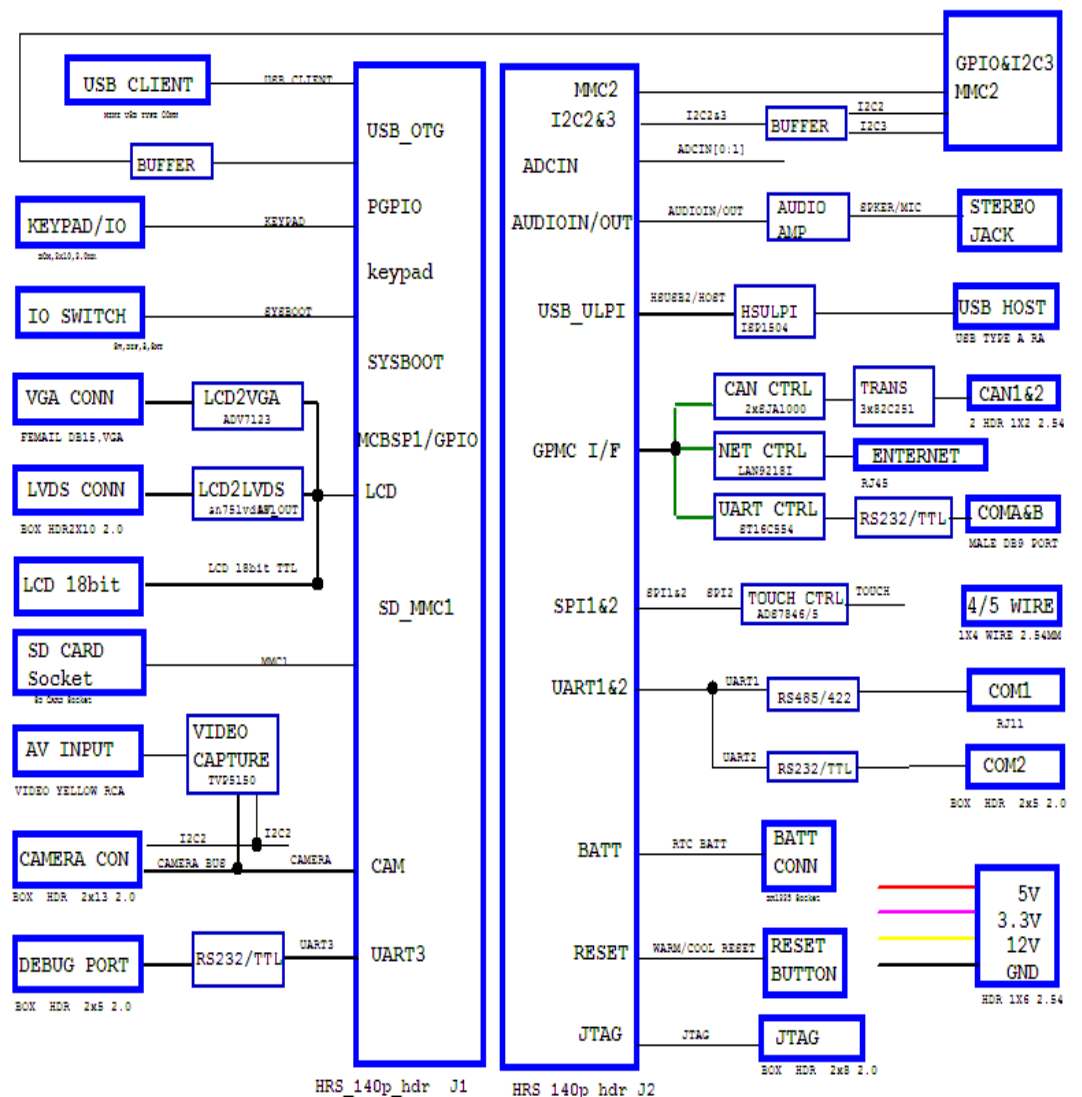
Email: sales@vantrontechnology.com.cn

Connector Board: VT-TurboG8-CB, Support TI OMAP 35xx / 37xx series ARM Cortex A8 Processor based PB board

Features	
■	Connector Board for VT-TurboG8-PB Processor Board
■	Display: 1xTTL LCD, 1xVGA, 1xLVDS, 1xAV Output
■	1xAV Video Input, 1x Camera Input
■	1xMMC/SD Socket, 1xMMC/SD in Pin connector
■	1xUSB 2.0 Host, 1xUSB OTG 2.0, High Speed
■	2xRS232(FULL), 2xRS232(5wires), 2xUART, 1xRS422/485
■	2xI2C Bus, 2xSPI
■	1xVideo/digital Camera Input, 10bit
■	6x6 Keypad Array
■	Audio Interface, 2xMIC IN, Line Out R/L
■	1xRTC Battery Backup Power
■	5V Single Power Supply, Low Power design
■	Embedded Linux, WinCE, Supported



Connector Board Specifications		
Video	Video Out	1xTTL, RGB, 40x0.5mm, FPC 1xLVDS, 20 x 1.27mm DF14 Connector 1xS-Video Output, or 1xRCA AV Output 1x DB15, VGA
	Video Input	1xdigital Camera Interface, 2x10x2.0mm Connector 1xAV Input, RCA
Memory	Extended	1xMMC/SD Socket, 1xMMC/SD in Pin connector
Audio	Audio	2xMIC input , Audio JACK 2xLine Output R/L, Audio JACK
I/Os	USB	1xUSB2.0 Host High Speed (480Mbps), TypeA 1xUSB2.0 Client High Speed (480Mbps), miniB
	COM Port	2xRS232, DB9 2xRS232, 2x5x2.0mm Connector 1xRS422/485, RJ11 2xCAN 2.0b, 1x2.54mm Connector 2xUART, 2xI2C, 2x10x2.0mm Connector 2xSPI/SSP
	IOs	6x6 array key board, 2x10x2.0mm Connector 2x10x2.0mm Connector
	RTC	Supported, Battery Backup
	Touch Screen	4 wires Resistance Touch Screen
	Buttons	1x Cold Reset (CPU & Power Chip) 1xWarm Reset (CPU) 1xON/OFF Button (Optional)
	Software	OS Supported: Linux, WinCE SDK Supported
	Power	Input 5V Input
Mechanical	Dimensions 165 x 115mm	
Environment Condition	Temperature	Operating:-20°C ~ +70°C, (ETR:-40°C ~ +85°C optional) Storage: -40°C ~ +85°C
	Humidity	10-85%RH (Non-Condensation), operating and storage
	Cooling Mode	Fanless



Order Part Example	
VT-TurboG8-CB-00	Connector board for VT-TurboG8-PB, Power Jack
VT-TurboG8-CB-01	Connector board for VT-TurboG8-PB, Power Terminal

Optional Mating Connectors		
➤ Power Terminal	1pc (3pins)	ANYTEC:VM-5.08-3P (optional)

NOTES:

All specifications are subject to change without notice. Please contact Vantron for additional requirements.

US Office: Vantron Technology, Inc.  
Address: 440 Boulder Court, Suite 300  
Pleasanton, CA 94566  
Tel: 510-304-7666  
Email: sales@vantrontechnology.com

China Office: Chengdu Vantron Technology, Ltd  
Address: 3rd floor, 3rd building, No. 9, 3rd WuKe East Street,  
WuHou District, Chengdu, P.R. China 610045  
Tel: 86-28-8512-3930/3931, 8515-7572/6320  
Email: sales@vantrontechnology.com.cn