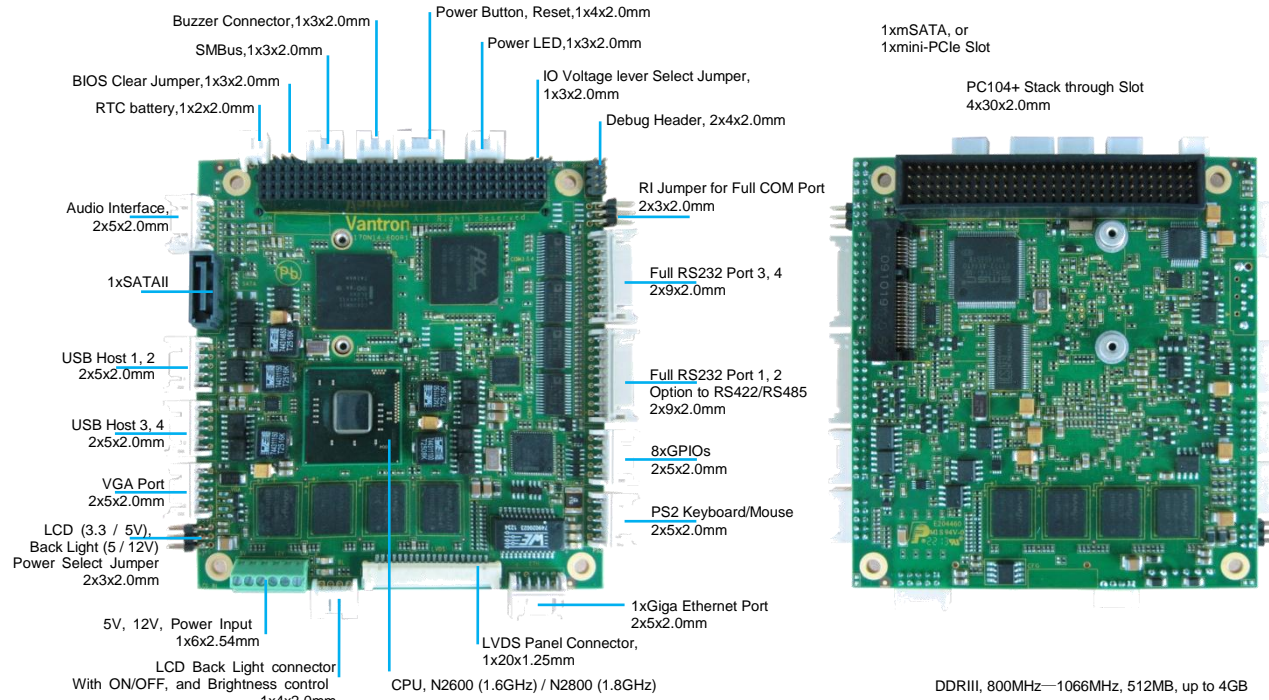


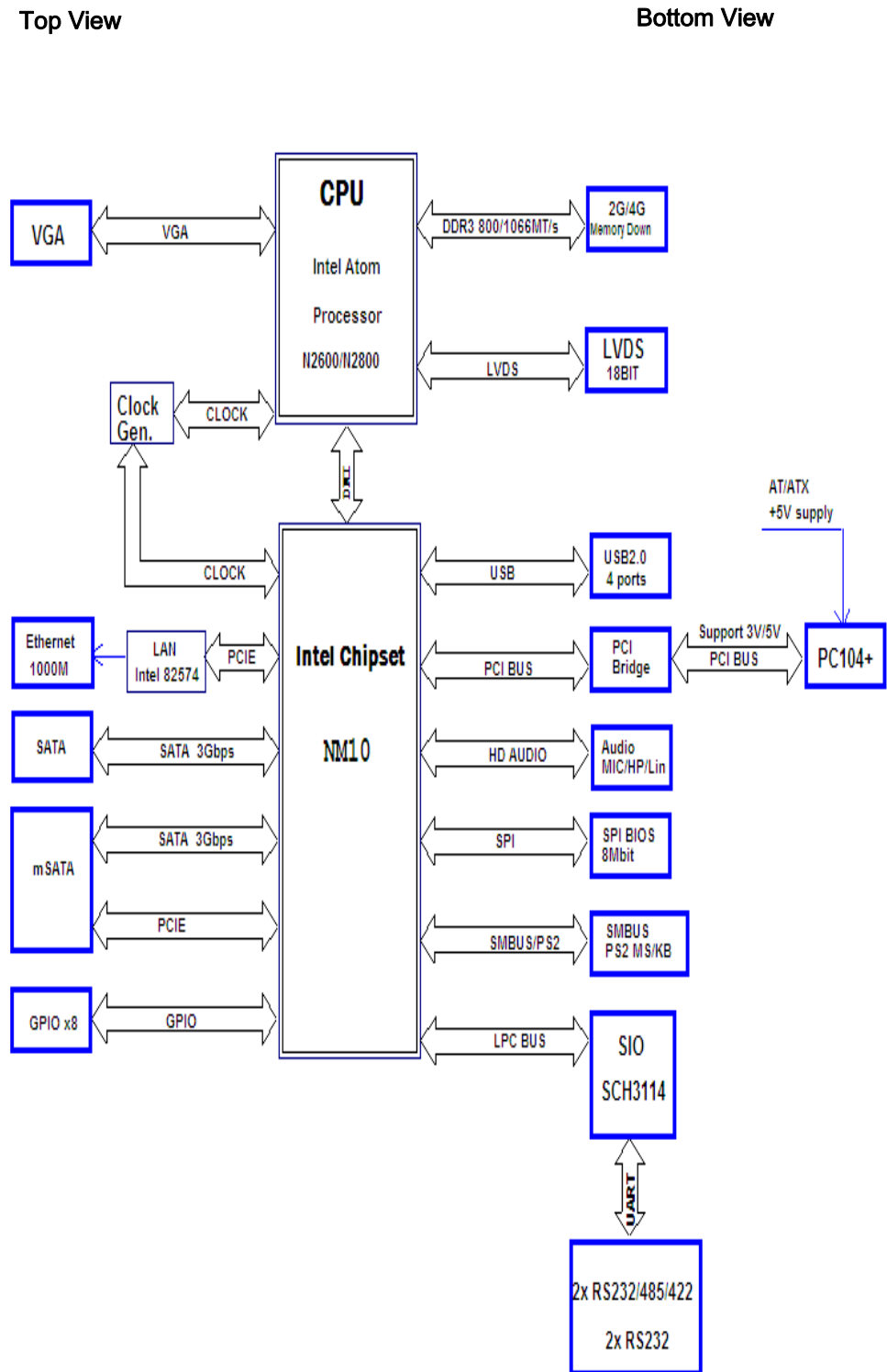
VT-SBC104-CV, Industrial PC/104+ Board, with Intel®, ATOM™, N2600/N2800 Processor

| Features | |
|----------|---|
| ■ | Intel ATOM™, N2600/1.6GHz, N2800/1.86GHz |
| ■ | Intel® Platform Controller Hub NM10 |
| ■ | On board DDRIII, 800MHz-1066MHz, 512MB, up to 4GB |
| ■ | Dual Display supported |
| ■ | 1xSATAII, 1xmSATA(Optional) |
| ■ | HD audio Interface |
| ■ | 1xGigabit Ethernet |
| ■ | 5xUSB Host 2.0, 2xRS232, 2xRS232/422/485, 8xGPIOs |
| ■ | Standard PC104+ Board 96x90mm |
| ■ | Windows, Linux Supported |
| ■ | Power Supply, 5V, 12V Input |
| ■ | Wide Temperature Available: -20°C ~ +85°C |



VT-SBC-CV Board Specifications

| Form Factor | | Standard PC/104+ Size (96mm x 90mm) | |
|-----------------------|------------------|---|--------------------------|
| System | Processor | Intel® ATOM™, N2600/1.6GHz, N2800/1.86GHz 32nm, Dual Core, 512KB L2 Cache | |
| | DDRAM | On Board DDRIII, 800MHz-1066MHz, 512MB, up to 4GB N2600 up to 2GB, N2800 up to 4GB | |
| | Chipset | Intel® Platform Controller Hub NM10 | |
| | Storage | 1x SATAII, 300MB/s, support SSD (any size) 1xmSATA (Optional on mini-PCIe slot), support SSD (any size) | |
| | H/W Status | Support CPU Temperature monitoring | |
| | TPM | TPM 1.2, Internal header (optional) | |
| Display | Chipset | Intel® Platform Controller Hub NM10 Support DX10.1, OGL3.0 Support Full-HD(1080p) video decoding | |
| | Memory | Shared memory up to 512MB | |
| | Resolutions | Up to 1366 x 768 @ 60Hz for LVDS Up to 1920 x 1200 @ 60Hz for VGA | |
| | LVDS | 1x18 bit Single-Channel LVDS panel interface | |
| | VGA | 1x VGA connector, 2x5x2.0 header | |
| | Display Mode | VGA, VGA+LVDS, Support extended and clone mode | |
| I/O | Back Light | Support 5V, 12V backlight, with brightness and on/off control | |
| | Audio | AC97 Codec (HD Audio in ATOM) Headphone Stereo, MIC | |
| | Ethernet | 1x 10/100/1000Base-T, 2x5x2.0mm, RA | |
| | USB | 5x USB2.0 Host (1 on mini-PCIe slot) | |
| | GPIO | 8 x GPIOs | |
| | PCIe | 1x Mini PCI-Express Slot (optional for mSATA) | |
| | PCI | 1x PCI Bus on PC104+ connector | |
| | SMBus | 1x SMBus, 1x3x2.0mm header, RA | |
| | Serial Port | 2x RS232 Full, on 2x9x2.0mm header 2x RS232 Full, on 2x9x2.0mm header, option to RS422/485 | |
| | RTC/Watch Dog | Supported, RTC backup powered by battery | |
| | PS2 | 1xPS2 Keyboard, 1xPS2 Mouse interface | |
| | Other Interfaces | WLAN: Can connect to WLAN module in USB interface Capacitive touch: Can connect to CAP TS in USB interface | |
| | Software | OS | Windows, Linux Supported |
| | | SDK | Supported |
| Power | Input | AT Power Supported, 5V, 12V (power up automatically or by power button) | |
| | Dimensions | 96mm x 90mm (3.775"x3.55") | |
| Mechanical | Gross Weight | 150g (TBD) | |
| | Temperature | Operating: -10°C ~ +60°C (Wide temperature:-20°C ~ +85°C) Storage: -40°C ~ +85°C | |
| Environment Condition | Humidity | 10-85%RH(Non-Condensation),Operating & Storage | |
| | Cooling Mode | Fan less, Heat Sink | |



| Order Information | |
|-------------------|--|
| VT-SBC-CV-26-2GM | Intel ATOM™, N2600, 2GB DDRIII, 1xGiga ETH,5xUSB |
| VT-SBC-CV-28-4GM | Intel ATOM™, N2800, 4GB DDRIII, 1xGiga ETH,5xUSB |

NOTES: All specifications are subject to change without notice. Please contact Vantron

for additional requirements.



US Office: Vantron Technology, Inc.
Address: 440 Boulder Court, Suite 300 pleasanton, CA 94566
Tel: 510-304-7666
Email: sales@vantrontech.com

China Office: Chengdu Vantron Technology, Ltd
Address: 3rd floor, 3rd building, No. 9, 3rd WuKe East Street, WuHou District, Chengdu, P.R. China 610045
Tel: 86-28-8512-3930/3931, 8515-7572/6320
Email: sales@vantrontech.com.cn