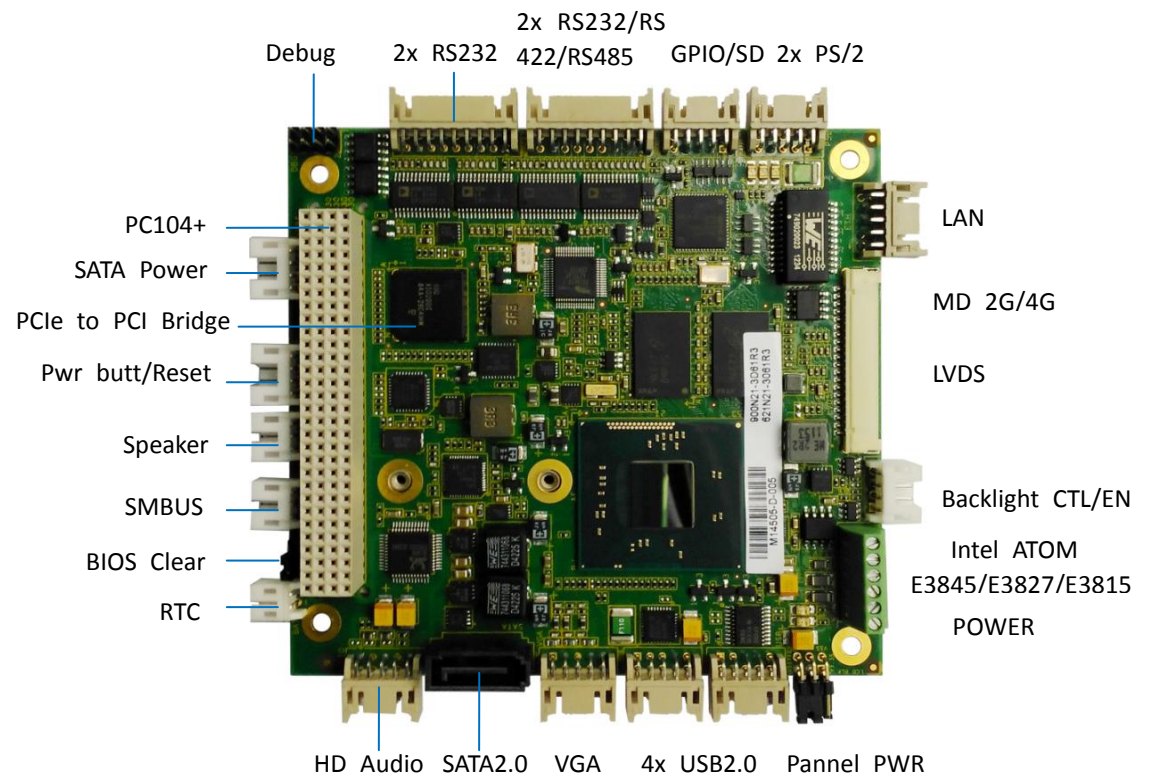


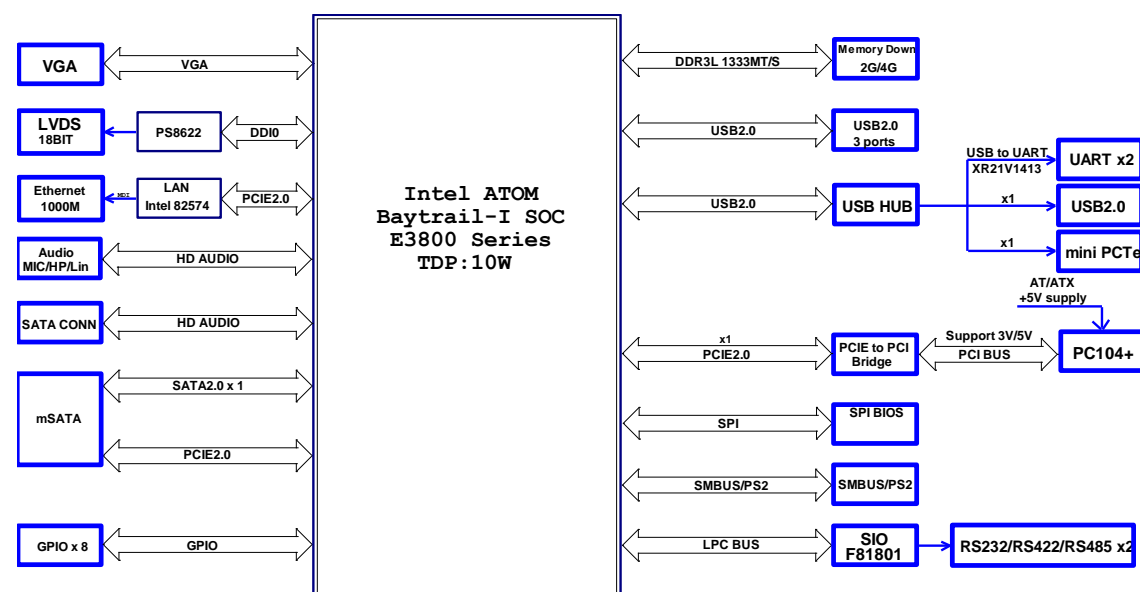
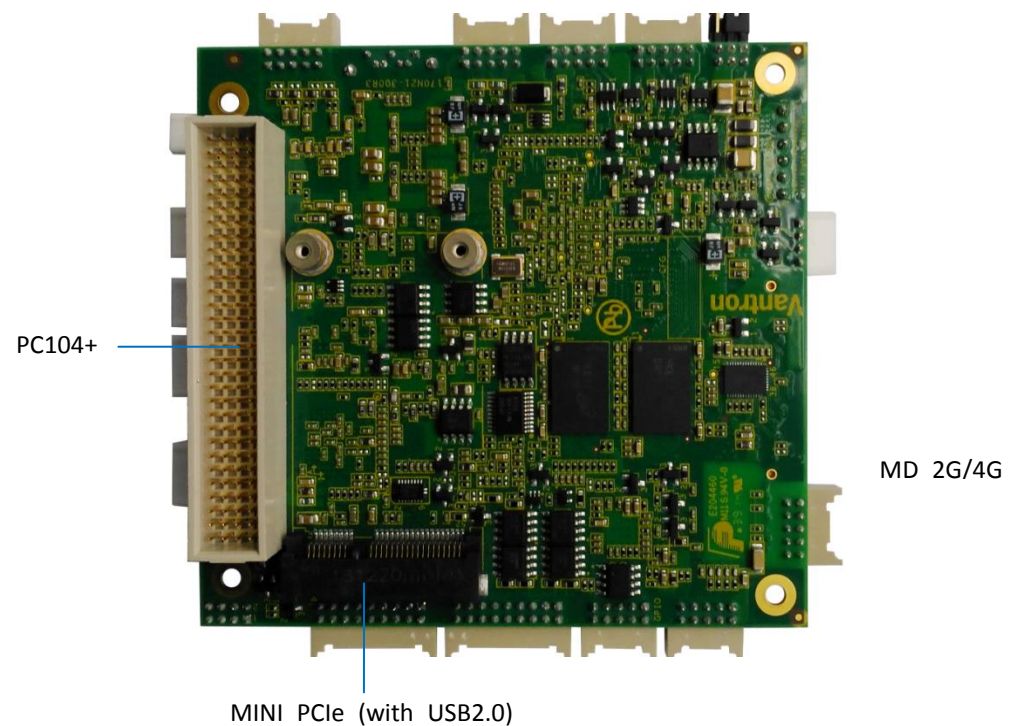
CPU Board: VT-PC104-BT, with Intel® ATOM™ E3827/E3845 /E3815 Processor

Features	
■	Intel ATOM E3845/1.91GHz, E3827/1.75GHz, E3815/1.46GHZ
■	DDR3L MD 1333MT/s, up to 2GB
■	1x SATA2.0 interface, for SSD or Hard Disk
■	Standard PC104, 90mm x 96mm, with a PC104+ Connector
■	VGA, LVDS Output Interface
■	1x 10/100/1000-BaseT Ethernet, 5x USB 2.0 Host
■	2x RS232, 2x RS232/RS422/RS485
■	1x HDA interface
■	SMBUS/PS2 Supported
■	WES7, WIN7, WIN8, Linux Supported
■	Power Input DC12V and DC5V, Support Auto Power up
■	Wide Temperature Available: -40°C ~ +85°C



CPU Board Specifications

Standard		Standard PC104 (90mm x 96mm)
System	Processor	Intel® ATOM™, E3827/1.75GHz, E3845/1.91GHz, E3815/1.46GHz
	DDR RAM	On Board DDR3L 1333MT/s(E3845&E3827)/1066MT/s (E3815), up to 2GB
	Storage	1x SATA2.0 interface, for SSD or Hard Disk
	H/W Status	Support CPU Temperature monitoring (Optional)
Display	Chipset	Support LVDS/VGA, simultaneous/dual view display Decode - H.264, MPEG2, MVC, VC-1/WMV9@1080P Encode - H.264, MPEG2
	Memory	Shared memory up to 256MB
	Resolutions	Up to 1680 x 1050 @ 60Hz for LVDS 2560x1600@60Hz for VGA
	LCD	18/24 bit Single-Channel LVDS panel interface
	VGA	Support up to 2560x1600@60HZ resolution
	Audio	AC97 Codec (HD Audio in ATOM) interface
I/O	Ethernet	WG82574IT, 10/100/1000Base-TX
	USB	5x USB2.0 Host
	GPIO	8x GPIOs, Multiplexed with 4 bit SD Pins
	PCIe	1x PCI-Express2.0 to PC104+ 1x PCI-Express2.0 to mini PCIe 1x PCI-Express2.0 to Giga LAN
	LPC	1x LPC Bus
	UART	2x RS232, 2x RS232/RS422/RS485
	SATA	1x SATA2.0
	SDIO	1x SD interface( Multiplexed with GPIO)
	SMBus	1x SMBus
	RTC	Supported
	OS	WES7, WIN7, WIN8, Linux Supported
	SDK	Supported
	Power	Input +5V, +12V
	Mechanical	Dimensions Standard PC104: 90mm x 96mm
Environment Condition	Temperature	Operating: -40°C ~ +85°C(CMT) Storage: -40°C ~ +85°C
	Humidity	10-85%RH(Non-Condensation), Operating & Storage
	Cooling Mode	Fan less, Heat Sink



NOTES:

All specifications are subject to change without notice. Please contact Vantron for additional requirements.



US Office: Vantron Technology, Inc.  
Address: 440 Boulder Court, Suite 300 Pleasanton, CA 94566  
Tel: 510-304-7666  
Email: sales@vantrontechnology.com

China Office: Chengdu Vantron Technology, Ltd  
Address: 3rd floor, 3rd building, No. 9, 3rd WuKe East Street, WuHou District, Chengdu, P.R. China 610045  
Tel: 86-28-8512-3930/3931, 8515-7572/6320  
Email: sales@vantrontechnology.com.cn