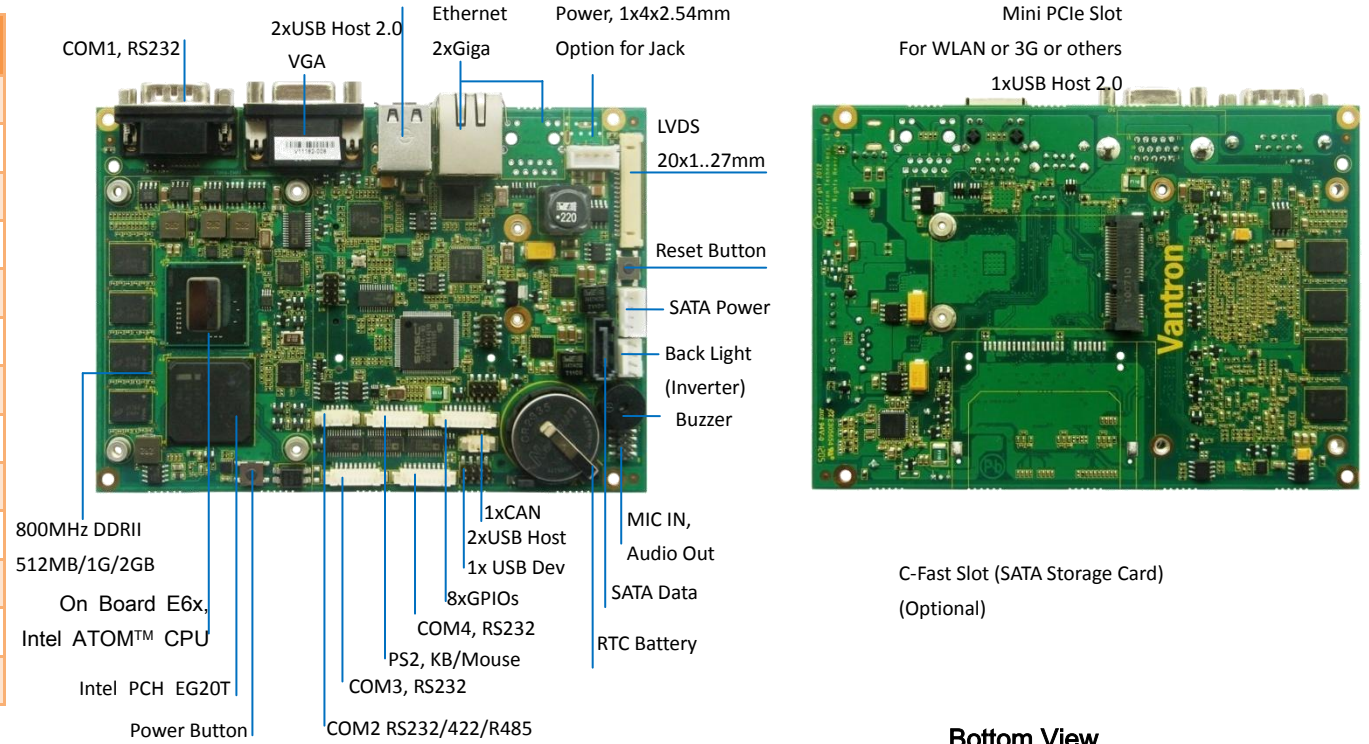


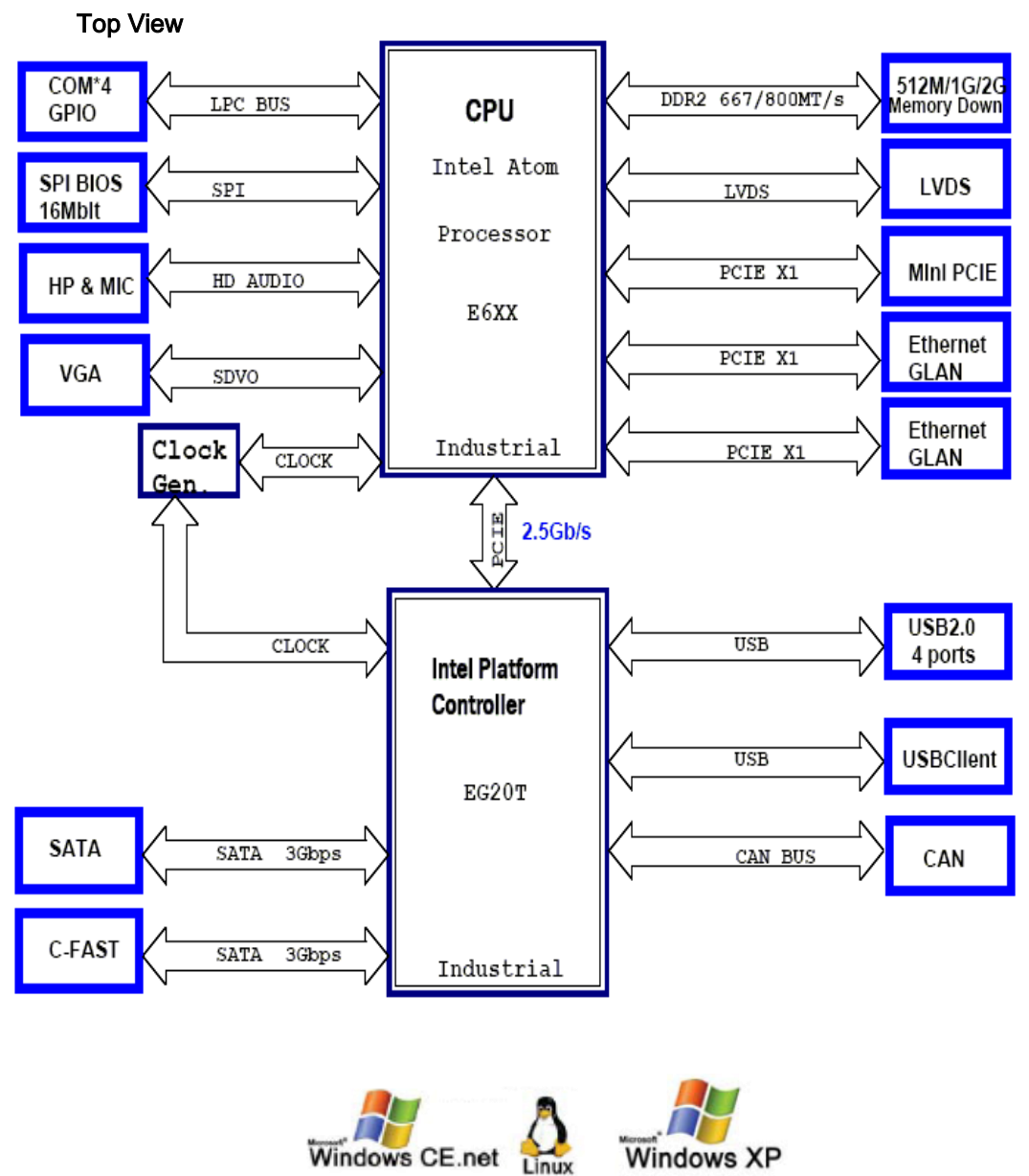
SBC: Standard 3.5" Industrial Single Board Computer, with Intel® ATOM™ E640/660/680 Tunnel Creek Processor

Features	
■	Intel ATOM E640(T),1GHz,/E660(T),1.3GHz / E680(T),1.6GHz
■	1xSATA II interface, for SSD or Hard Disk
■	1xC-Fast Slot (Optional), for SATA Storage Card
■	1xVGA Output Interface, 1xLVDS Interface
■	2x10/100/1000-BaseT Ethernet, 5xUSB 2.0 Host
■	3xRS232, 1xRS232/422/485, 1xCAN2.0b
■	1xAudio Output, 1xMic In, Buzzer Alarm
■	Windows, or Linux Supported
■	Fanless, Rugged Design, Aluminum Alloy Enclosure
■	Power Input DC12V, or DC24V(9-36V), Support Auto Power up
■	Power Jack, Option for Power Pin Header (4x2.54mm)
■	Standard 3.5" Board Size & Mounting Holes
■	Wide Temperature Available: -40°C ~ +85°C



Board Specifications

Board Specifications			
System	Processor	Intel® ATOM™,E640(T)1GHz, E660(T)1.3GHz, E680(T)1.6GHz	
	DDRAM	On Board DDRII 800MHz, 512MB, up to 2GB	
	Chipset	Intel® Platform Controller Hub EG20T	
	I/O Chipset	Intel® Platform Controller Hub EG20T	
	Storage	1x SATAII, 1xC-Fast (SATA Storage)	
Display	H/W Status	Support CPU Temperature monitoring	
	Chipset	Intel® Platform Controller Hub EG20T Support LCD/SDVO, simultaneous/dual view display Decode:H.264,MPEG4, MPEG2,VC1,WMV-9, Div-X Encode:H.264,MPEG4,VGA	
	Memory	Shared memory up to 256MB	
	Interface	1xVGA, DB15, Up to 1280x1024@85Hz LVDS, up to 1280x768@60Hz (Internal)	
	Back Light	12V Inverter Back Light	
	I/O	Ethernet	2x10/100/1000-BaseT
Mini-PCle		1xMini-PCle, Option Support for IEEE802.11b/g/n wireless	
USB		5xUSB2.0 Host(2 in Type A, 2 in 2x8x2.0mm Pin Header, 1 in Mini-PCle) 1xUSB 2.0 Client (in 2x8x2.0mm Pin Header)	
COM Port		3xRS232, Full function (1 in DB9, 2 in 9x1.27mm Header) 1xRS232/422/485 Configurable(in 5x1.27mm)	
CAN		1xCAN 2.0b (in 1x3x1.27mm)	
Audio		1xMIC in, 1xSpeak Out, in 2x8x2.0mm Pin Header	
GPIO		8xGPIOs (3.3V Level)	
PS2		1xPS2 for Keyboard, and Mouse	
Alarm		Buzzer Out	
RTC		Supported	
Software		OS	Windows, Linux Supported
		SDK	Supported
Power		Input	DC24V(9-36V), Power Jack, Option for Power Pin Header (4x2.54mm) With power button
		Consumption	10W (Pulse 15W), Sleep 2W.
Mechanical	Dimensions	146x102mm Standard 3.5" Board Size & Mounting Holes	
	Gross Weight	0.3Kg	
Environment Condition	Temperature	Operating: -0°C ~ +60°C(CMT), Option for Operating: -40°C ~ +85°C(WDT) Storage: -40°C ~ +85°C	
	Humidity	10-85%RH(Non-Condensation),Operating & Storage	
	Cooling Mode	Fan less, Heat Sink	



Order Information	
VT-SBC-TC35-4-512M-CF	ATOM E640, 1GHz, 512MB DDR, with C-Fast Slot
VT-SBC-TC35-4-1GM	ATOM E640, 1GHz, 1GB DDR
VT-SBC-TC35-8-512M	ATOM E660, 1.6GHz, 512MB DDR
VT-SBC-TC35-8-1GM-I	ATOM E660, 1.6GHz, 1GB DDR, WDT

Optional Accessories	
Power Adapter (Optional)	1pcs 110-220V AC Input to 19V DC. US or UK standard.

NOTES:
All specifications are subject to change without notice. Please contact Vantron for additional requirements.



US Office: Vantron Technology, Inc.
Address: 440 Boulder Court, Suite 300 Pleasanton, CA 94566
Tel: 510-304-7666
Email: sales@vantrontech.com

China Office: Chengdu Vantron Technology, Ltd
Address: 3rd floor, 3rd building, No. 9, 3rd WuKe East Street, WuHou District, Chengdu, P.R. China 610045
Tel: 86-28-8512-3930/3931, 8515-7572/6320
Email: sales@vantrontech.com.cn