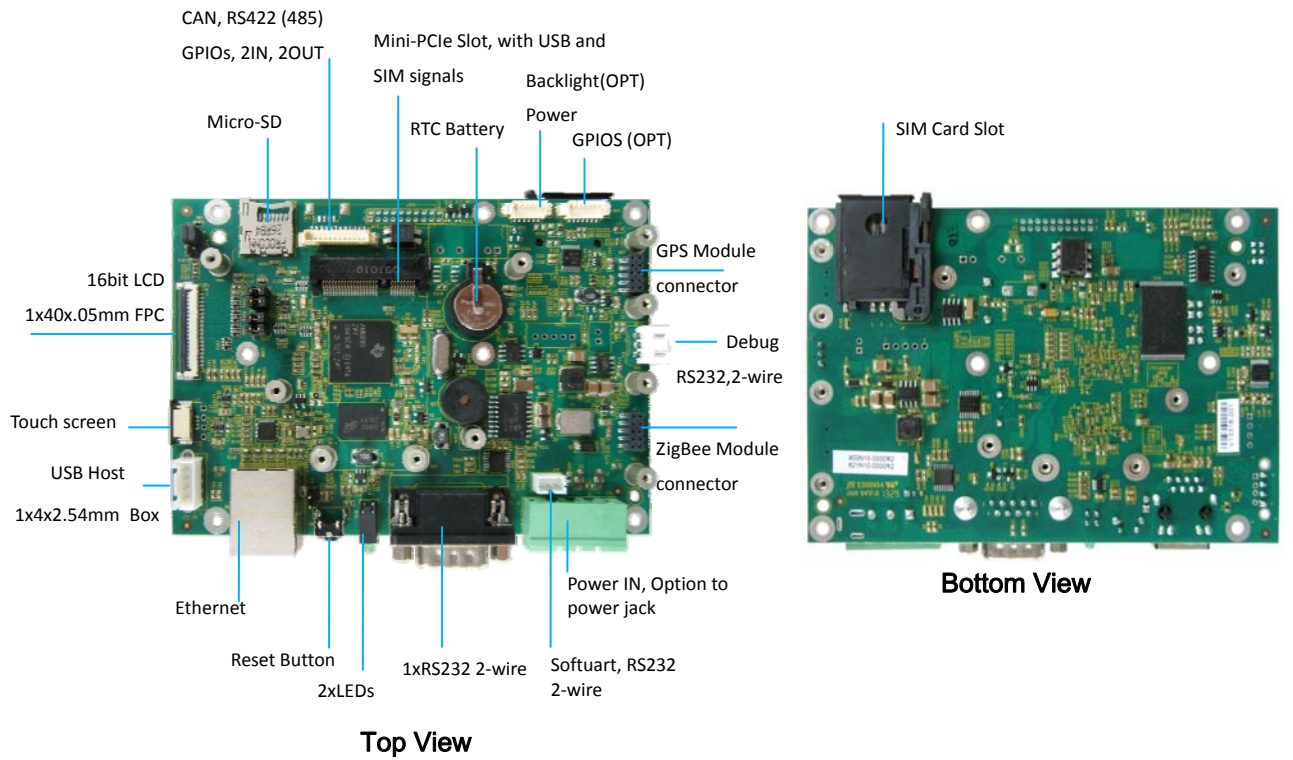
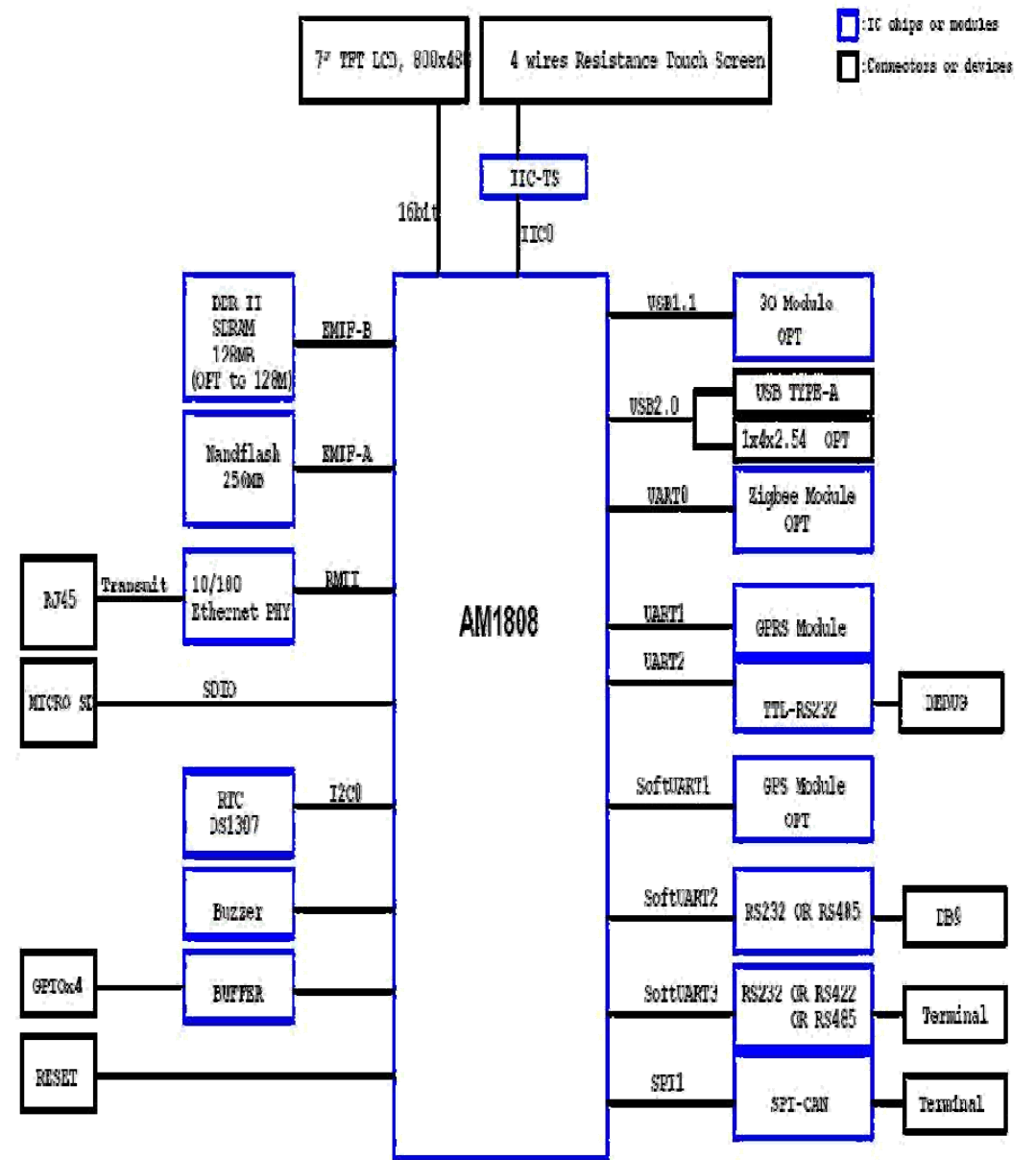


CPU Board: VT-SBC LV, single Board computer, with TI ARM9 Processor

Features	
■ CPU	: TI AM1808, 456MHz, Low Power Processor
■ On Board DDR	, 156MHz, 128MB (OPT to 256MB) , 256MB Nand Flash,
■ 1xMicro SD Card	
■ 1x10/100-BaseT Ethernet	
■ Support WLAN	, 3G Module with SIM slot, GPRS Module with SIM slot , Optional GPS and ZigBee (or RF2.4G)
■ 1xRS232/RS422/RS485	, 1xRS232/485
■ GPIO	: 2xIn, 2xOut (Optional isolated)
■ 1XCAN 2.0b	(Optional isolated)
■ Fanless	, Rugged Design
■ WinCE	, or Linux
■ Power Input	, Wide Range (6-36V), Terminal



CPU Board Specifications		
System	Processor	TI AM1808(2) Low Power ARM9 Processor
	On Board Memory	RAM: DDR 156MHz, 128MB ROM: NAND Flash, 256MB
	Extended Memory	1xmicro-SD
Display	Video Out	TTL, TFT LCD interface, TFT, Typical 800x600, 16bit. Up to 1024x1024 pixel Resolution. (Optional)
	Touch Screen	4-wire resistance touch screen
Peripheral	LAN	1x10/100Mbps Ethernet, RJ45
I/Os	USB	1Xusb1.1Host ;1XUSB2.0OTG 1 in Type-A, for external device, 1 in Mini-PCIe Slot, for 3G(HOST)
	COM Port	1XUART1,for GPRS Module, 1xUART0,for ZigBee Module, 1x RS232(UART2), for Debug 1xSoftuart1, for GPS Module 1xSoftuart2,RS232 or RS485 1xSoftuart3, RS232 or RS485 or RS422
	CAN	1xCAN 2.0b
	IOs	4xGPIOs,(2xIn, 2xOut) 2xLED status, on board 1xBuzzer Alarm 1xReset Button
	RTC	Supported, Separately RTC chip
	Software	OS Supported: Linux, WinCE SDK Supported
	Power	Input 6-36V Input
Mechanical	Dimensions 135 x 90mm	
Environment Condition	Temperature	Operating:-20°C ~ +70°C, (ETR:-40°C ~ +85°C optional) Storage: -40°C ~ +85°C
	Humidity	10-85%RH (Non-Condensation), operating and storage
	Cooling Mode	Fanless



Order Part Example	
VT-SBC LV-128M-256F-I	TI, AM1808, 456MHz, 128MB DDR, 128MB Flash, ETR
VT-SBC LV-128M-256F	TI, AM1808, 456MHz, 128MB DDR, 128MB Flash

NOTES:
All specifications are subject to change without notice. Please contact Vantron for additional requirements.



US Office: Vantron Technology, Inc.
Address: 440 Boulder Court, Suite 300 pleasanton, CA 94566
Tel: 510-304-7666

China Office: Chengdu Vantron Technology,Ltd
Address: 3rd floor, 3rd building, No. 9, 3rd WuKe East Street, WuHou District, Chengdu, P.R. China 610045
Tel: 86-28-8512-3930/3931, 8515-7572/6320
Email: sales@vantrontech.com.cn