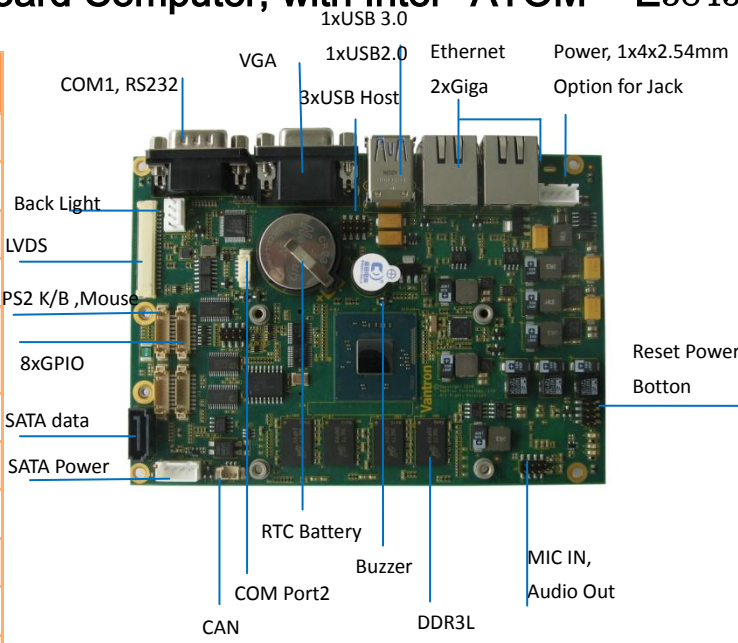


aSBC: Standard 3.5" Industrial Single Board Computer, with Intel® ATOM™ E3845/E3827/E3815 Processor

Features	
■	Intel ATOM E3845/1.91GHz,E3827/1.75GHz,E3815/1.46GHz
■	1xSATA II interface, for SSD or Hard Disk
■	1X SATA NANDDRIVE (Optional2G/4G/8G)
■	1xVGA Output Interface, 1xLVDS Interface
■	2x10/100/1000-BaseT Ethernet, 1xUSB 3.0(Type A), 1xUSB2.0(Type A) ,3xUSB2.0(Internal)
■	1xRS232, 1xRS232/422/485, 1xCAN2.0b
■	1xAudio Output, 1xMic In, Buzzer Alarm
■	Windows, or Linux Supported
■	Fanless, Rugged Design, Aluminum Alloy Enclosure
■	Power Input DC12V, or DC24V(9-36V), Support Auto Power up
■	Power Jack, Option for Power Pin Header (4x2.54mm)
■	Standard 3.5" Board Size & Mounting Holes
■	Wide Temperature Available: -40°C ~ +85°C



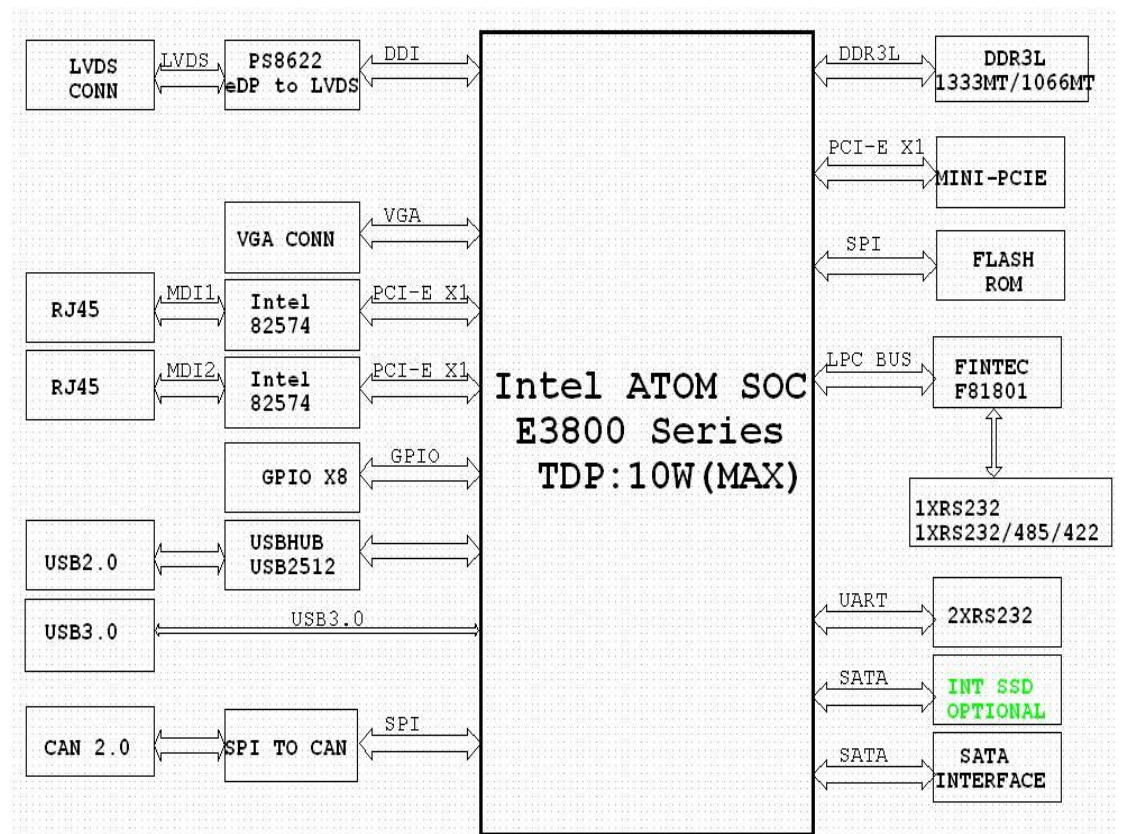
Top View



Bottom View

Board Specifications

Board Specifications			
System	Processor	Intel® ATOM™ SOC,E3845(QUAD CORE)/1.91GHz, E3827 (DUAL CORE)/1.75GHz, E3815(SINGLE CORE) /1.46GHz	
	DDRAM	On Board DDR3L 533/667MHz, 1GB, up to 8GB	
	I/O	N/A	
	Storage	1x SATAII, 1xSATAI NandDRIVE (Optional)	
	H/W Status	Support CPU Temperature monitoring	
	Memory	Shared memory up to 256MB	
	Interface	1xVGA, DB15, Up to 2560x1600@60Hz LVDS, up to 1680x1050@60Hz (Internal)	
I/O	Back Light	12V Inverter Back Light	
	Ethernet	2x10/100/1000-BaseT	
	Mini-PCle	1xMini-PCle, Option Support for IEEE802.11b/g/n wireless	
	USB	1X USB3.0,1xUSB2.0,3x USB2.0(Internal)	
	COM Port	1xRS232, (1 in DB9) 1xRS232/422/485 (Configurable) (in 5x1.27mm)	
	CAN	1xCAN 2.0b (in 1x3x1.27mm)	
	Audio	1xMIC in, 1xSpeak Out, in 2x8x2.0mm Pin Header	
	GPIO	8xGPIOs (3.3V Level)	
	PS2	1xPS2 for Keyboard, and Mouse	
	Alarm	Buzzer Out	
	RTC	Supported	
	Software	OS	Windows, Linux Supported
		SDK	Supported
Power	Input	DC24V(9-36V), Power Pin Header(4x2.5mm), Option for Power Jack With power button	
	Consumption	20W (based on the max configuration), Sleep 2W.	
Mechanical	Dimensions	146x102mm Standard 3.5" Board Size & Mounting Holes	
	Gross Weight	0.3Kg	
Environment Condition	Temperature	Operating: -45°C ~ +85°C(WDT), Storage: -40°C ~ +85°C	
	Humidity	10-85%RH(Non-Condensation),Operating & Storage	
	Cooling Mode	Fan less, Heat Sink	



NOTES:

All specifications are subject to change without notice. Please contact Vantron for additional requirements.



US Office: Vantron Technology, Inc.
Address: 440 Boulder Court, Suite 300 pleasanton, CA 94566
Tel: 510-304-7666
Email: sales@vantrontech.com

China Office: Chengdu Vantron Technology, Ltd
Address: 3rd floor, 3rd building, No. 9, 3rd WuKe East Street, WuHou District, Chengdu, P.R. China 610045
Tel: 86-28-8512-3930/3931, 8515-7572/6320
Email: sales@vantrontech.com.cn