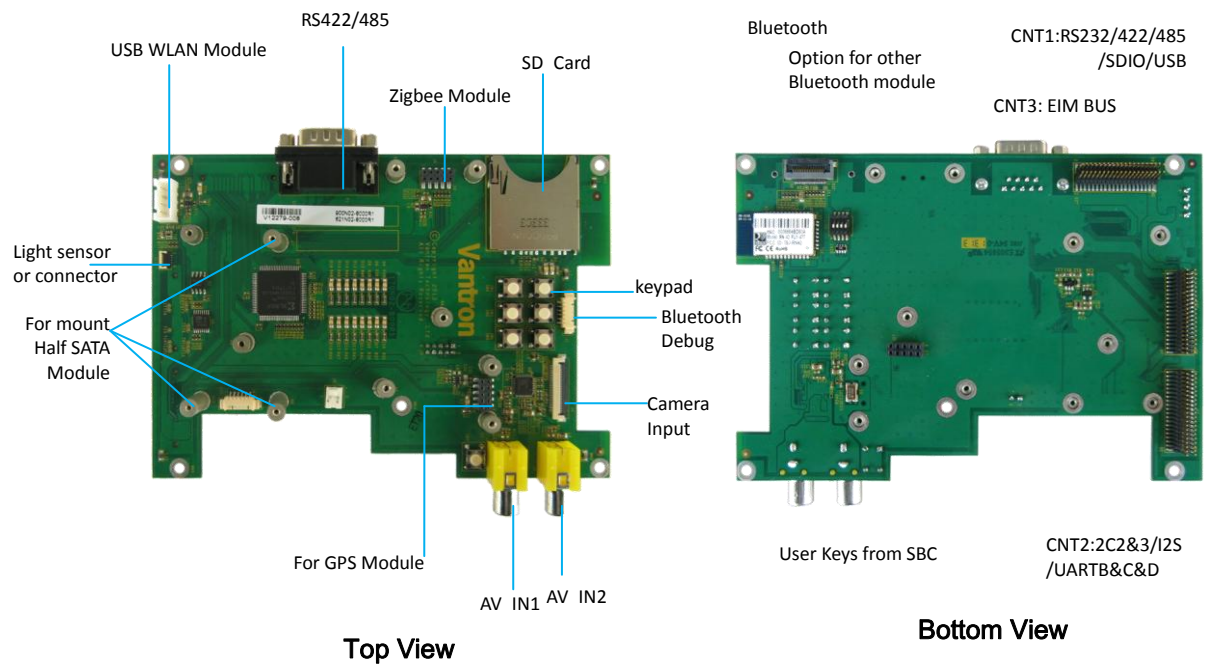
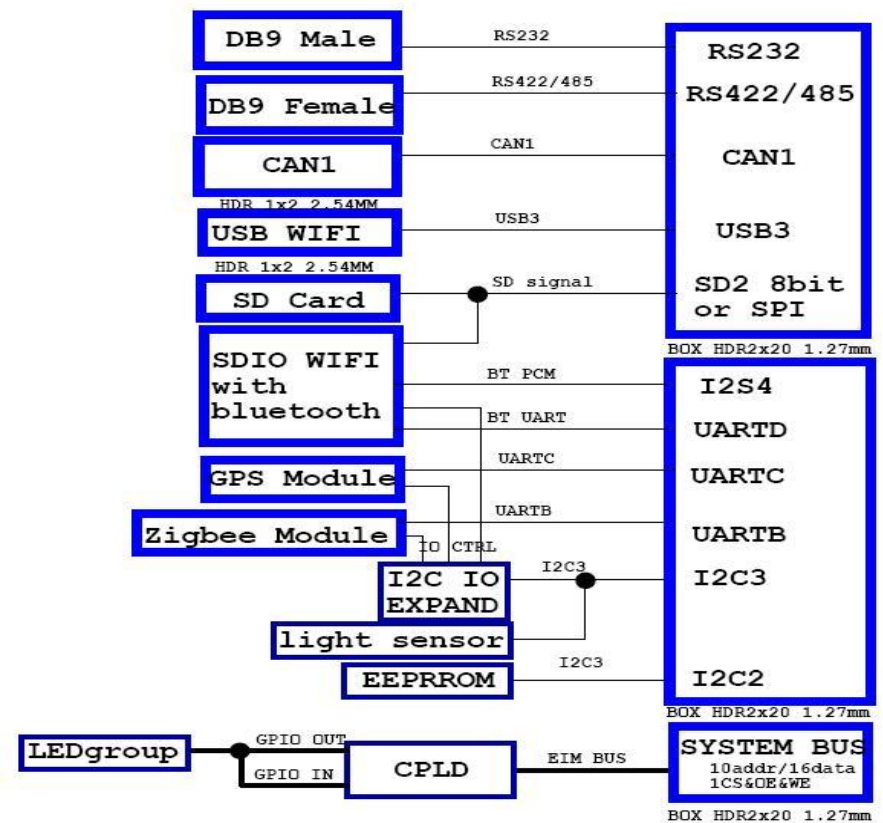


VT-SBC 6Q CB, SBC 6Q expand board, with GPS/Zigbee/WLAN/BT module, RS232/422 port, light sensor, AV In, etc

Features	
■	VT-SBC 6Q expand board, work with SBC 6Q, to implement GPS/Zigbee/WLAN/Bluetooth module, RS232/422 port, light sensor, and AV IN, etc
■	1xRS232 or RS422/485, with software setting
■	1xUSB WLAN module
■	1xGPS module(serial port)
■	1xZigbee module(serial port)
■	1xBluetooth2.1+EDR
■	1xhalf-SATA(metal fix-pole)
■	1xCPLD and LED/IO(for EIM bus test)
■	1xEEPROM
■	2xanalog AV IN
■	7xkeypad(2 for system,5 for custom)
■	1xSD Card and FPC BT4.0 (onboard COM port WLAN and BT4.0)
■	Use 4xB2B connector to connect the CB on SBC 6Q
■	3.3V/5V Power Supply from SBC 6Q main board.



CPU Board Specifications		
Camera	CSI0	2xanalog Camera(8-bit to CSI0)
Bus	EIM	1xCPLD and LED/IO(for EIM bus test)
Module	WLAN	1xUSB2.0 WLAN Module
	Zigbee	1xZigbee module(UART)
	GPS	1xGPS module(UART)
	BT	1xBluetooth2.1+EDR
	SATA	1xhalf-SATA(metal fix-pole)
Memory	SD	SD Card or SDIO WLAN module
	Software	OS Supported: Linux, WinCE, Android
IOs	Serial port	1xRS232 or RS422/485
	IO	7xkeypad(2 for system,5 for custom)
	I2C	1xEEPROM
	CAN	1xCAN 2.0B
Power	Input	3.3V/5V Power Supply from SBC 6Q main board.
Mechanical	Dimensions	146 x 102mm
Environment Condition	Temperature	Operating:-20°C ~ +70°C, (ETR:-40°C ~ +85°C optional) Storage: -40°C ~ +85°C
	Humidity	10-85%RH (Non-Condensation), operating and storage
	Cooling Mode	Fanless



Order Code

VT- SBC 6Q CB-SD-I

Version: I: -40°C ~ +85°C version

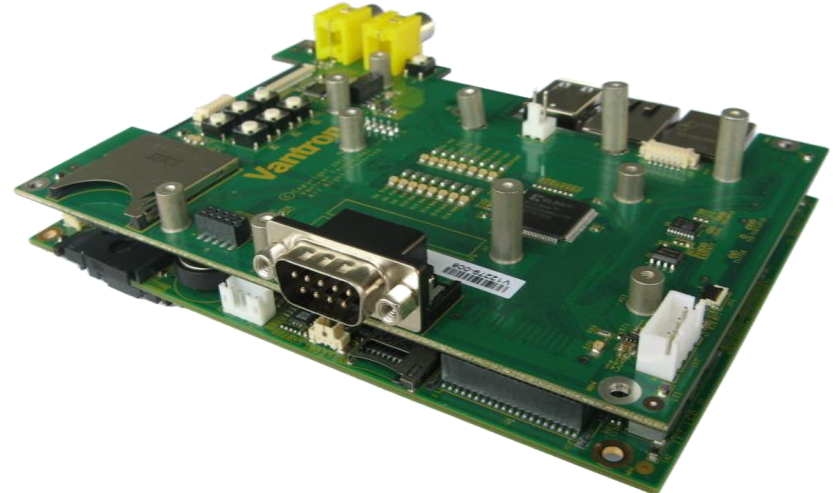
Blank: -20°C ~ +70°C, version

SD used : SD: SD card; WI: SDIO WLAN

Order Part Example

VT- SBC 6Q CB-SD-I SBC 6Q CB with SD Card function, ETR Temperature

VT- SBC 6Q CB-WI SBC 6Q CB with SD WLAN function



Stacked View

NOTES:

All specifications are subject to change without notice. Please contact Vantron for additional requirements.



US Office: Vantron Technology, Inc.
Address: 440 Boulder Court, Suite 300 pleasanton, CA 94566
Tel: 510-304-7666
Email: sales@vantrontech.com

China Office: Chengdu Vantron Technology, Ltd
Address: 3rd floor, 3rd building, No. 9, 3rd WuKe East Street, WuHou District, Chengdu, P.R. China 610045
Tel: 86-28-8512-3930/3931, 8515-7572/6320
Email: sales@vantrontech.com.cn