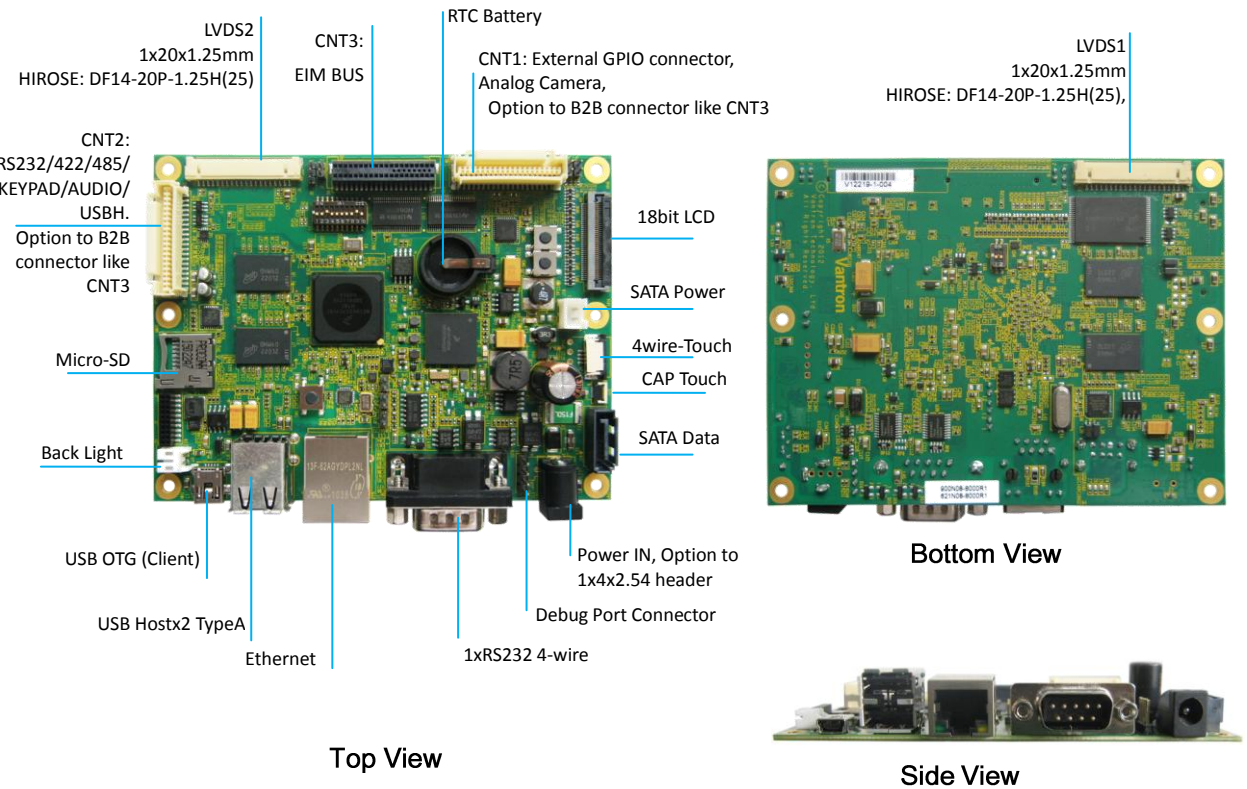
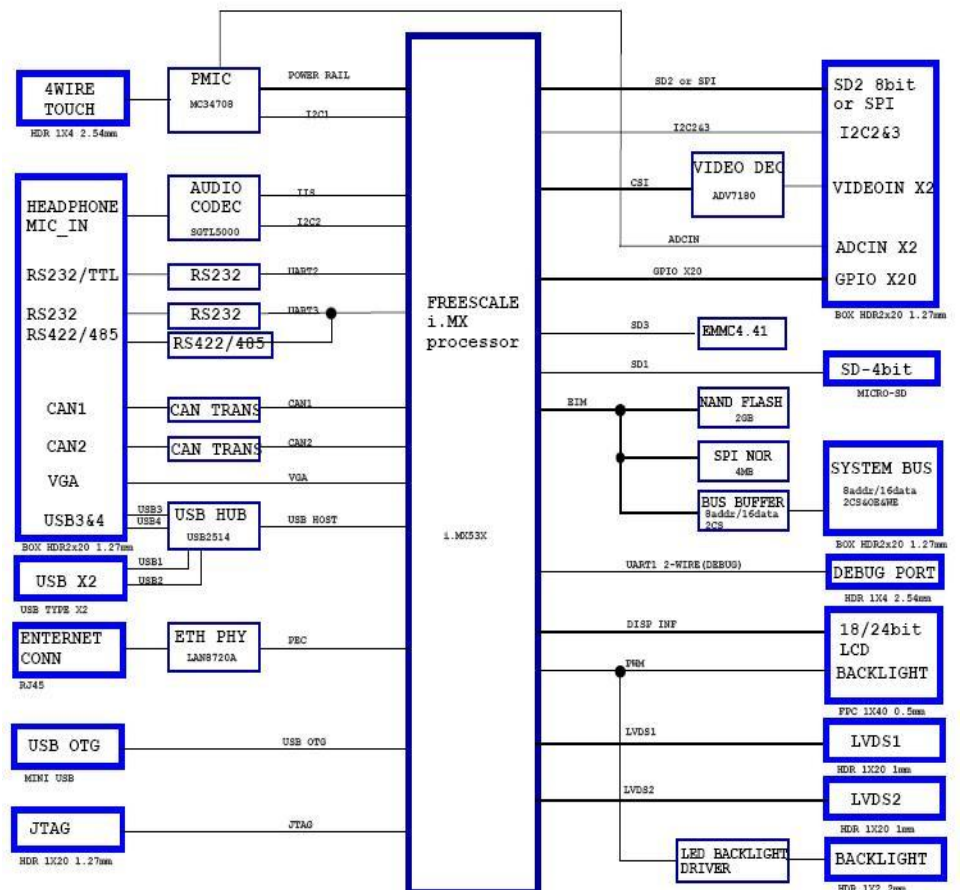


CPU Board: VT-SBC 53, single Board computer, with Freescale i.MX53 series ARM Cortex A8 Processor

Features	
■	Freescale, i.MX53(800M/1GHz),ARM Cortex-A8 Low Power Processor
■	On Board DDR3 400MHz, 1GB (512MB optional)
■	On Board NAND Flash, 2GB
■	Display: LCD, LVDS(VGA optional)
■	Resolution:XGA,WXGA,SXGA,HD720, HD1080p
■	1xmicro-SD,1xSATA
■	1xEIM Bus(10bit address and 16bit data)
■	4xUSB 2.0 Host(2xUSB Type-A), 1xUSB OTG 2.0
■	3xUART(4wires), 2xI2C Bus, 1xSPI(2xCS)
■	1xVideo/Camera Input
■	1x10/100Mbps Ethernet, RJ45
■	2XCAN Bus 2.0
■	Audio Interface, MIC IN, Line Out R/L
■	1xRTC by MC34708
■	6-36V Power Supply, Low Power design
■	Embedded Linux, WinCE, Android Supported



CPU Board Specifications		
System	Processor	Freescale , i.MX537-800MHz or i.MX535-1GHz ARM Cortex A8 Core, Floating unit, 2D/3D GPU Power Management and IO by MC34708
	On Board Memory	RAM: DDR 400MHz, 1GB (512MB optional) ROM: NAND Flash, 2GB
	Extended Memory	1xmicro-SD 1xSATA
Display	Video Out	Up to 1920x1080(1080P), 2D/3D Accelerator available 16/18/24bit TFT, Typical 1280x768 16bit. 2xLVDS/TTL, up to 165 Mpix/s 1x24 bit DSS bus interface, up to 180 Mpix/s (VGA optional)
	Touch	4-wire resistive touch, 1x capacitive touch
Camera	CSI	1xVideo/Camera Input
Audio	Audio	I2S Codec, MIC1/MIC2 input, Line Output R/L
Bus	GMPC	1xEIM Bus(10bit address and 16bit data)
Peripheral	LAN	1x10/100Mbps Ethernet, RJ45
	CAN	2xCAN 2.0b
	Accelerometer	On Board Accelerometer, 3-Axis
I/Os	USB	4xUSB2.0 Host (480Mbps) 1xUSB2.0 Client(480Mbps)
	COM Port	3xUART (4Wires), one for debug 2xI2C 1xSPI(2xCS)
	IOs	15xGPIOs,(up to 30 GPIOs) 2xADCIN
	RTC	Supported by TPS65930
Software	OS	Supported: Linux, WinCE, Android
	SDK	Supported
Power	Input	6-36V Input,
Mechanical	Dimensions	120 x 90mm
Environment Condition	Temperature	Operating:-20°C ~ +70°C, (ETR:-40°C ~ +85°C optional) Storage: -40°C ~ +85°C
	Humidity	10-85%RH (Non-Condensation), operating and storage
	Cooling Mode	Fanless



Order Code

VT- SBC 53-AAG-BBBM-CCCF-V

Version:

I: -40°C ~ +85°C version

Blank: -20°C ~ +70°C, version

Flash Memory Size: Nand in MB, 2GB or others

DDR Memory Size: in MB, 512MB or 1GB

CPU speed: P8G: i.MX537,800MHz, 1G: i.MX535,1GHz

Order Part Example

VT-SBC 53-P8G-1GM-2GF-I	Freescale, i.MX537,800MHz,1GB DDR, 2GB Flash, ETR
VT-SBC 53-1G-1GM-2GF	Freescale, i.MX535,1GHz,1GB DDR, 2GB Flash

NOTES:

IO and bus connectors CNT1, CNT2, can be B2B connector like CNT3. So it can option to support pin out IO signals and expand peripherals by a connector board upon this single board. All specifications are subject to change without notice. Please contact Vantron for additional requirements.

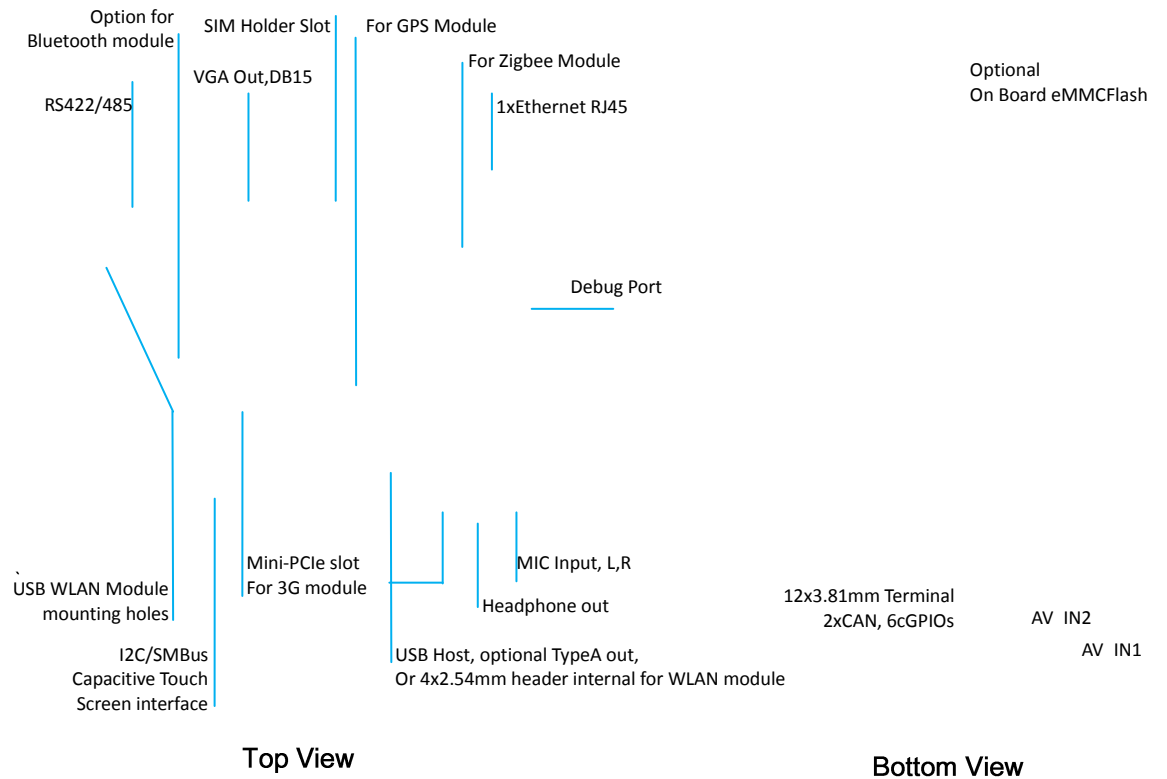


US Office: Vantron Technology, Inc.
Address: 440 Boulder Court, Suite 300 pleasanton, CA 94566
Tel: 510-304-7666
Email: sales@vantrontech.com

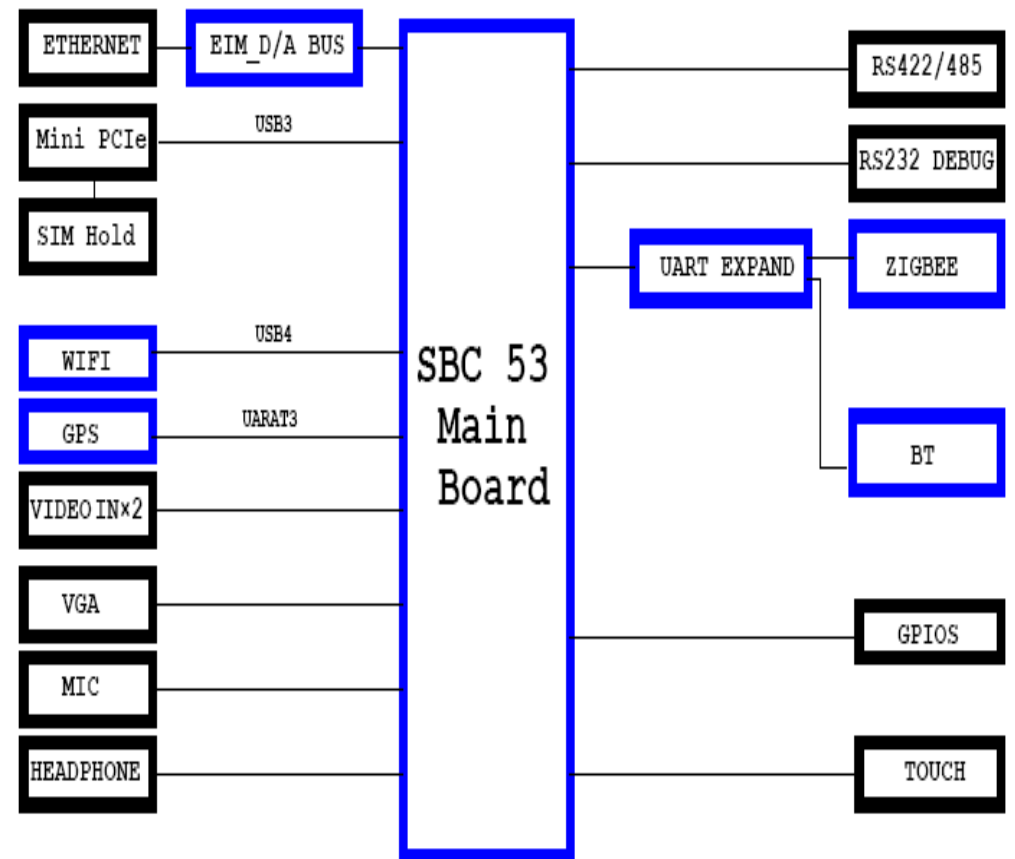
China Office: Chengdu Vantron Technology, Ltd
Address: 3rd floor, 3rd building, No. 9, 3rd WuKe East Street, WuHou District, Chengdu, P.R. China 610045
Tel: 86-28-8512-3930/3931, 8515-7572/6320
Email: sales@vantrontech.com.cn

VT-SBC53 NCB, SBC 53 expand board, with GPS/Zigbee/WLAN/BT module, RS232/422 port, light sensor, AV In,etc

Features	
■	VT-SBC 53 expand board, work with SBC 53, to implement 3G/ GPS/Zigbee/WLAN/Bluetooth module,RS422/485 port, AV IN, etc
■	On Board eMMC Flash, Optional, 2GB/4GB/8GB/16GB or others.
■	1x10/100Mbps Ethernet, RJ45
■	1xRS232 or RS422/485, 2xCAN 2.0b
■	1xUSB WLAN module optional internal (Optional Type USB-A out)
■	1xI2C/SMBus with 5V output, optional for capacitive touch screen
■	1x3G Module, mini-PCIe Card Slot with SIM card
■	1xBluetooth2.1+EDR (Optional)
■	1xGPS module(serial port)
■	1xZigbee module(serial port)
■	1xBluetooth2.1+EDR (Optional)
■	2xanalog AV IN, 1xHeadphone out, 1xMIC input
■	1xVGA output DB15 Female
■	3.3V/5V Power Supply from SBC 53 main board.



CPU Board Specifications		
Video	Output	1xVGA output DB15 Female
	Input	2xanalog AV IN, RCA Header
Audio	Audio	1xHeadphone, 3.5mm Audio Jack 1xMIC input, 3.5mm Audio Jack
	Memory	eMMC On Board eMMC Flash, Optional, 2GB/4GB/8GB/16GB or others.
Module	3G	1x3G module by mini-PCIe slot, with SIM holder.
	WLAN	1xUSB2.0 WLAN Module
	Zigbee	1xZigbee module(UART)
	GPS	1xGPS module(UART)
	BT	1xBluetooth2.1+EDR, Optional
IOs	Ethernet	1x10/100Mbps Ethernet, RJ45
	I2C	1xI2C/SMBus with 5V output, 6x2.0mm header. optional for capacitive touch screen
	CAN	2xCAN2.0b. From CPU, in 12x3.81 terminal
	Serial port	1xRS422/485, RJ11 1xRS232 debug port (3x2.54mm header).
	GPIO	6xGPIOs, TTL 3.3V level, in 12x3.81 terminal
Software	OS	Supported: Linux, WinCE, Android
	SDK	Supported
Power	Input	3.3V/5V Power Supply from SBC 53 main board.
Mechanical	Dimensions	120 x 102mm
Environment Condition	Temperature	Operating:-20°C ~ +70°C, (ETR:-40°C ~ +85°C optional) Storage: -40°C ~ +85°C
	Humidity	10-85%RH (Non-Condensation), operating and storage
	Cooling Mode	Fanless



Order Code

VT- SBC53 NCB-AAGE-I

Version: I: -40°C ~ +85°C version
 Blank: -20°C ~ +70°C, version
 eMMC : 02: 2GB eMMC; 16: 16GB eMMC Flash

Order Part Example

VT- SBC53 NCB-2GE-I	SBC 53 CB with 2GB eMMC Flash, ETR Temperature
VT- SBC53 NCB-I	SBC 53 CB without eMMC Flash, ETR Temperature

NOTES:

All specifications are subject to change without notice. Please contact Vantron for additional requirements.