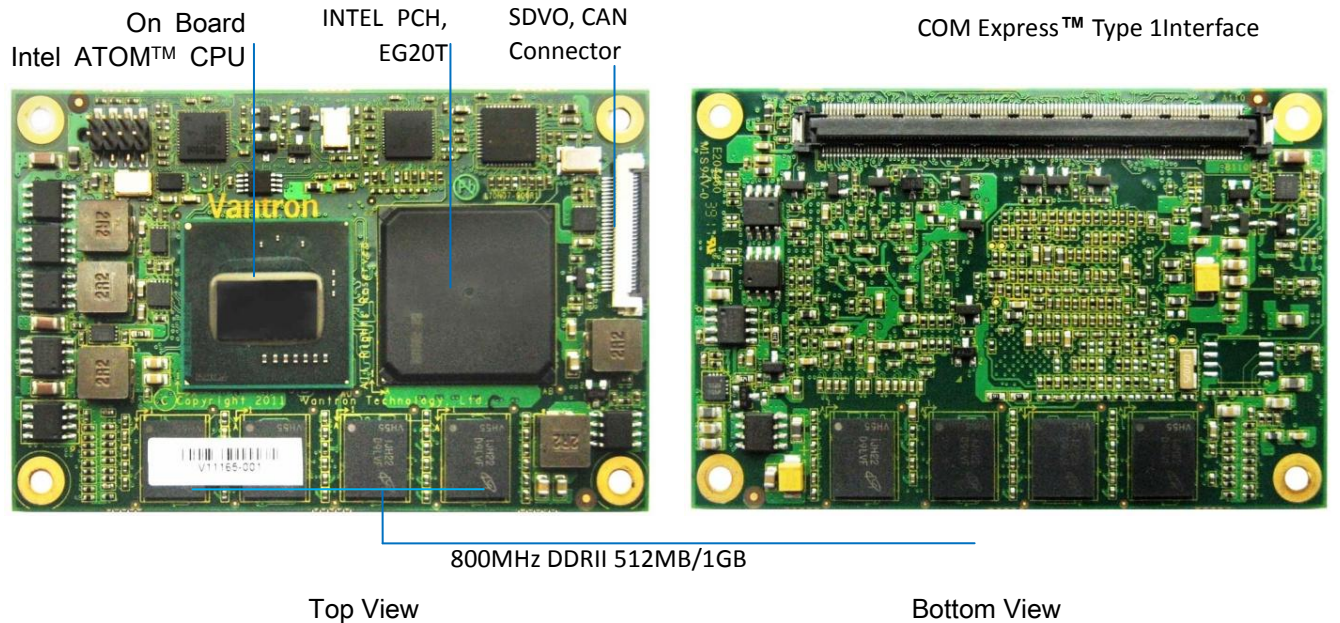
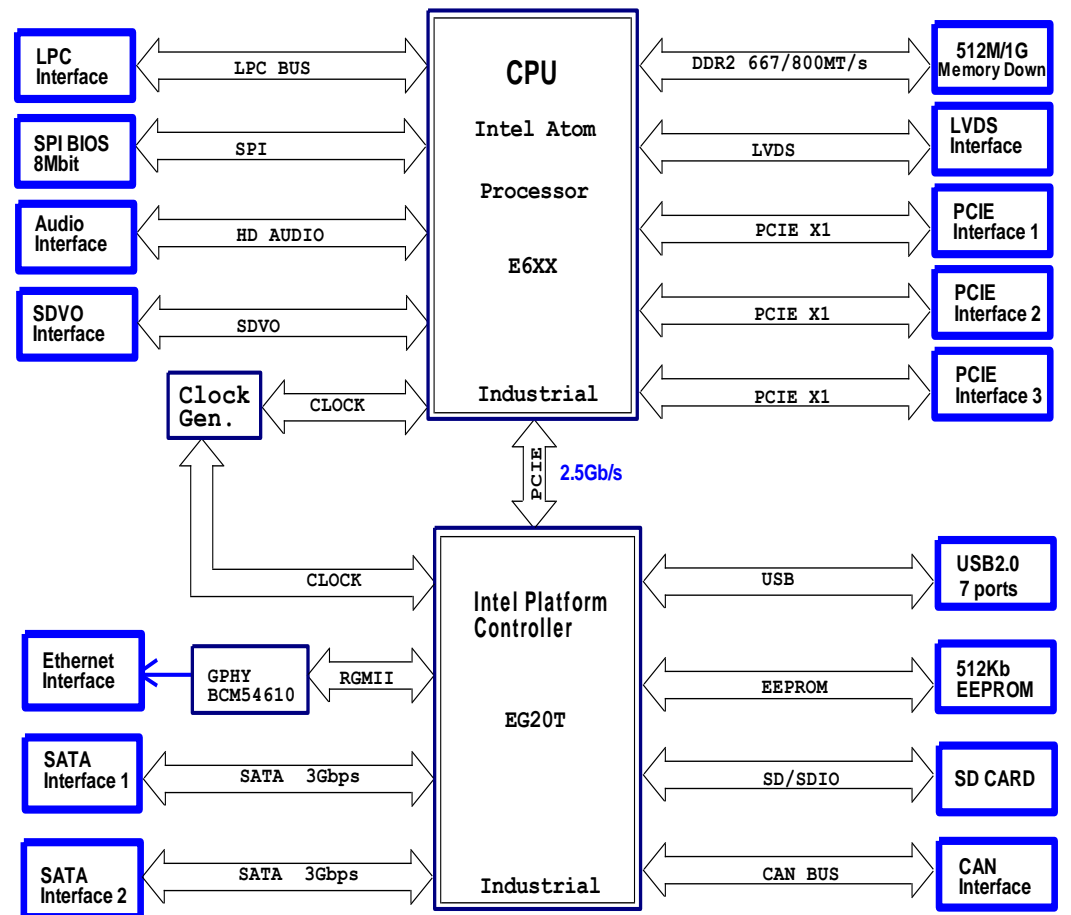


CPU Board: NanoCom TC, COM Express, CPU Module, with Intel® ATOM™ E620/E640/660/680 Processor

Features	
■	Intel ATOM E640(T),1GHz,/E660(T),1.3GHz / E680(T),1.6GHz
■	On board DDRII800MHz, 512MB up to 1GB
■	Embedded SATA II SSD Hard Disk Internal
■	1xMMC/SD card external storage
■	COM Express™ Type 1, Pin Out, Version 1 or Version 2
■	Dual Display supported
■	Gigabit Ethernet
■	HD audio Interface
■	Windows, or Linux Supported
■	1xPCI-Express, 2xSATAII,7xUSB2.0 Host, 1xCAN
■	Windows, Linux Supported
■	AT Power Supply (+5V,12V)
■	Wide Temperature Available: -40°C ~ +85°C



CPU Board Specifications			
	Standard	COM Express Type1 ( Nano Size)	
System	Processor	Intel® ATOM™, E620(T)600MHz E640(T)1GHz, E660(T)1.3GHz, E680(T)1.6GHz	
	DDRAM	On Board DDRII 800MHz, 512MB, up to 2GB	
	Chipset	Intel® Platform Controller Hub EG20T	
	I/O Chipset	Intel® Platform Controller Hub EG20T	
	Storage	1xMMC/SD, 2x SATAII	
	H/W Status	Support CPU Temperature monitoring (Optional)	
Display	Chipset	Intel® Platform Controller Hub EG20T Support LCD/SDVO, simultaneous/dual view display Decode:H.264,MPEG4, MPEG2,VC1,WMV-9, Div-X Encode:H.264,MPEG4,VGA	
	Memory	Shared memory up to 256MB	
	Resolutions	Up to 1280 x 768 @ 60Hz for LVDS; Up to 1280 x 1024 @ 85Hz for SDVO	
	LCD	18/24 bit Single-Channel LVDS panel interface	
	SDVO	SDVO connector	
	I/O	Audio	AC97 Codec (HD Audio in ATOM)
Ethernet		BCM54610,10/100/1000Base-TX	
USB		7xUSB2.0 Host	
GPIO		4 In or 4 Out: Multiplexed with 4 bit SDIO Pins	
PCIe		1x PCI-Express	
LPC		1x LPC Bus	
SMBus		1x SMBus	
CAN		1xCAN Bus	
RTC		Supported	
Software		OS	Windows, Linux Supported
		SDK	Supported
Power	Input	+5V/0.5A, +12V/0.2A	
Mechanical	Dimensions	COM Express Nano size: 84mm x 55mm	
	Gross Weight	0.15Kg	
Environment Condition	Temperature	Operating: -0°C ~ +60°C(CMT), Option for Operating: -40°C ~ +85°C(WDT) Storage: -40°C ~ +85°C	
	Humidity	10-85%RH(Non-Condensation),Operating & Storage	
	Cooling Mode	Fan less, Heat Sink	



Order Information		
NanoCOM TC-1G-512M-I	ATOM	Nano PB, Tunnel Creek 1GHz CPU,512MB DDR,WDT
NanoCOM TC-1.3G-512M-I	ATOM	Nano PB, Tunnel Creek 1.3GHz CPU,512MB DDR,WDT
NanoCOM TC -1G-512M	ATOM	Nano PB, Tunnel Creek 1GHz CPU,512MB DDR,CMT
NanoCOM TC-1G-1GM	ATOM	Nano PB, Tunnel Creek 1GHz CPU,1GBB DDR,CMT
NanoCOM TC-1.6G-512M	ATOM	Nano PB, Tunnel Creek 1.6GHz CPU,512MB DDR,CMT
NanoCOM TC-1.6G-1GM	ATOM	Nano PB, Tunnel Creek 1.6GHz CPU,1GBB DDR,CMT

Optional Accessories			
➤	Passive Heat-Sink	1pcs	140010-0068EV ,VANTRON
➤	Screw, M2.5x12	4pcs	250010-00901EV,JFWJ: Screw, M2.5x12
➤	Spring Washer, M2.5	4pcs	250030-00006EV,JFWJ: Spring Washer, M2.5,
➤	Nut, Hex M2.5,	4pcs	250020-00006EV,JFWJ: Nut, Hex M2.5,
➤	Standoff, NYLON	4pcs	250041-04505EV,KINGLOK:RNS-4.5-5

NOTES:

All specifications are subject to change without notice. Please contact Vantron for additional requirements.



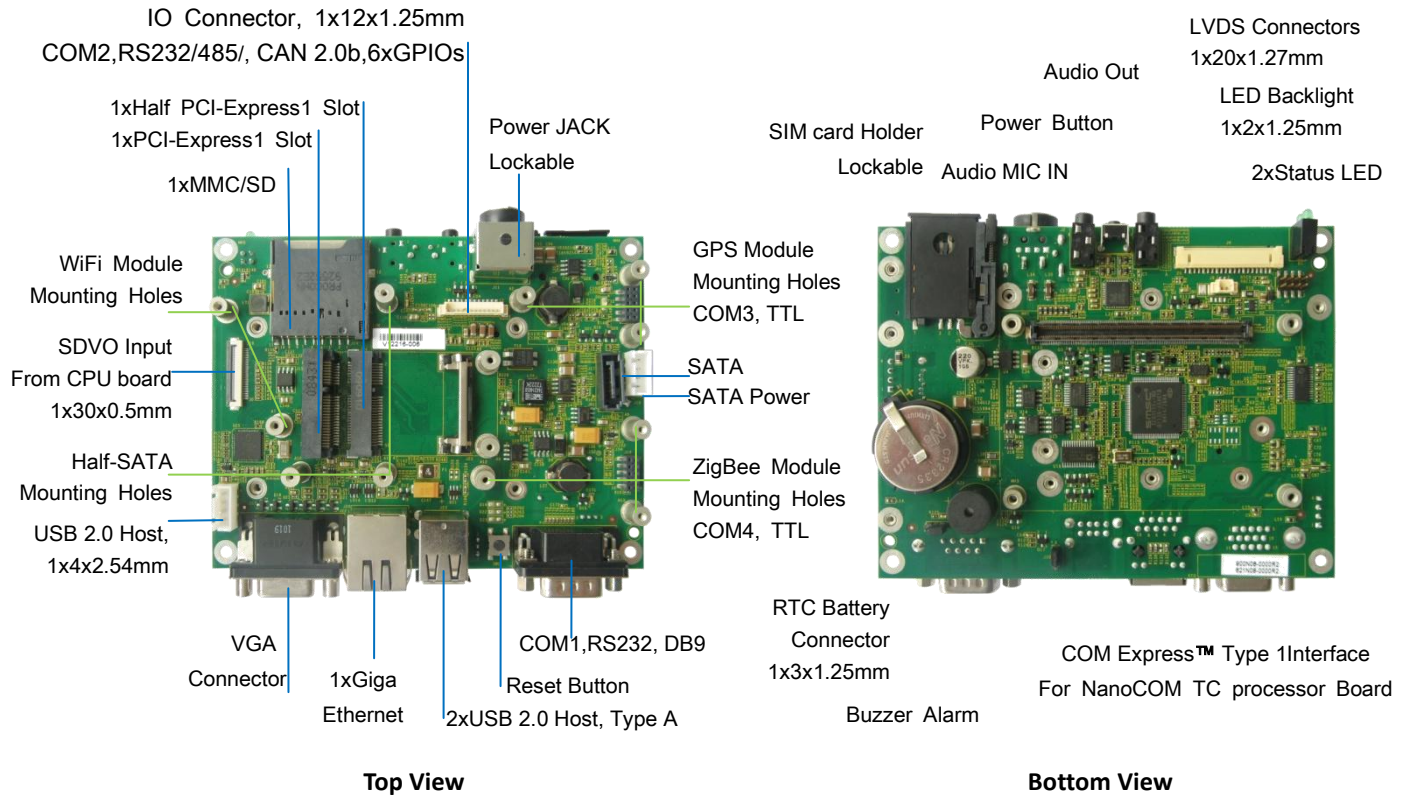
US Office: Vantron Technology, Inc.  
Address: 440 Boulder Court, Suite 300 Pleasanton, CA 94566  
Tel: 510-304-7666  
Email: sales@vantrontechnology.com

China Office: Chengdu Vantron Technology, Ltd  
Address: 3rd floor, 3rd building, No. 9, 3rd WuKe East Street, WuHou District, Chengdu, P.R. China 610045  
Tel: 86-28-8512-3930/3931, 8515-7572/6320  
Email: sales@vantrontechnology.com.cn

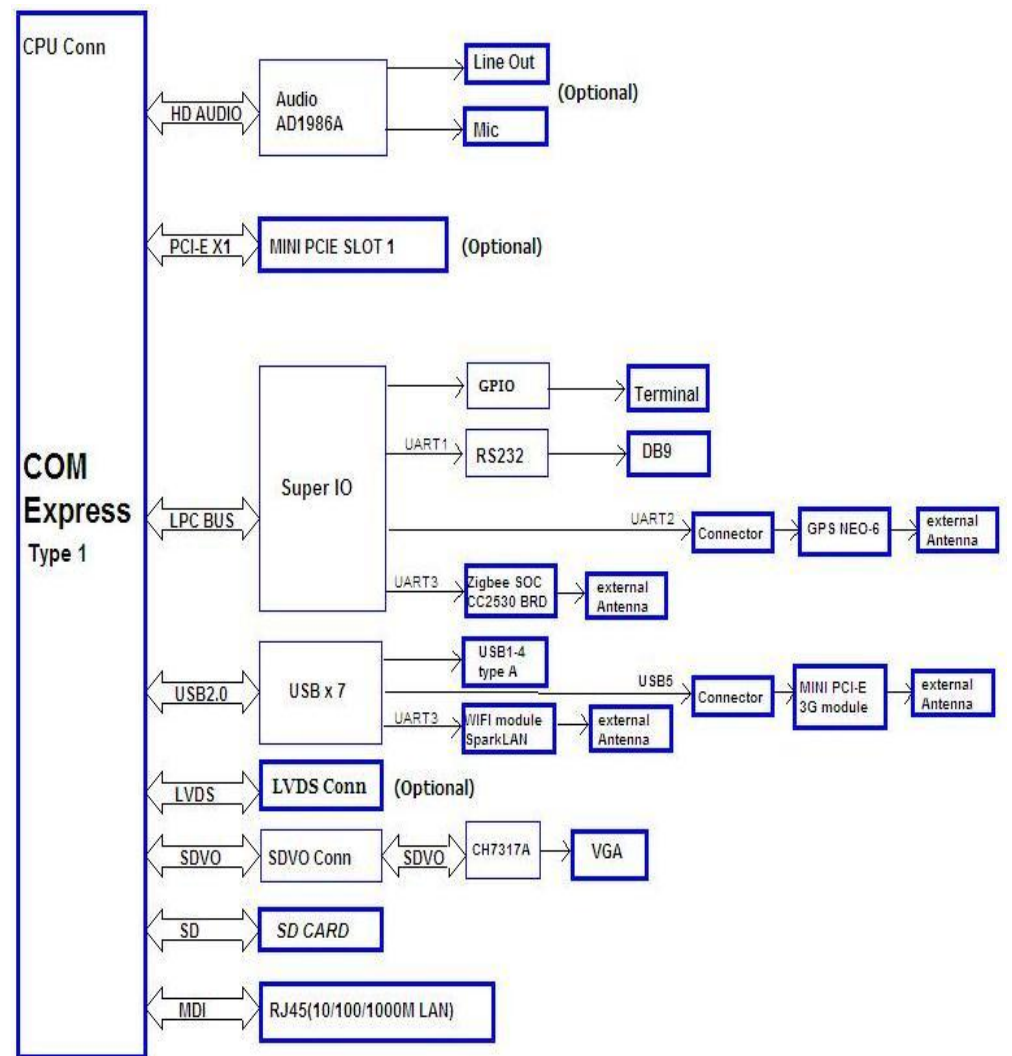


Connector Board: NanoCOM-CB, for NanoCOM TC COM Express CPU Board

Features	
■	NanoCOM TC CPU board supported
■	COM Express™ Compact or Ultra Size supported
■	Dual Display: VGA Interface, LVDS Interface
■	1xSATAII, Half SATA Mounting Holes Prepared
■	1xSD/MMC Storage
■	1xGigabit Ethernet
■	1xGPS Module, 1xZigBee Module Interface
■	2xPCI-Express,for wireless and other Interfaces
■	1xRS232, 1xRS232/485,1xCAN2.0b Interface
■	Audio Head Phone Out, MIC IN
■	6xGPIOs, On Board Buzzer Alarm
■	RTC backup power Battery Interface
■	Wide Range Power Supply 12/24V (9-36V)
■	Wide Range Temperature Availble
■	TPM(Optional)



Specifications	
<b>CPU Board</b>	COM Express Type1, Support Ultra or Compact size, NanoCOM TC PB board, Intel® ATOM™, E620/E640/E66/E680, 600MHZ/1G/1.3G/1.6GHZ
<b>Storage</b>	Hard Disk 1xSATA II (HD), Locked connector, Support SSD SATA Disk Support mounting holes for Half-SATA SSD board
	Extend Memory 1xMMC/SD
<b>Video</b>	VGA 1xDB15 Interface
	LVDS 1x20x1.25mm SMT connector, for DF14 cable
<b>Audio</b>	Audio In 1xMIC IN 3.5mm
	Audio Out 1xHead Phone Out 3.5mm,
<b>IOs</b>	Ethernet 1x10/100/1000-BaseT (Giga Network)
	USB 2xUSB2.0 Host, 2x Internal USB Host
	Serial Ports 1xRS232 (DB9 Male)
	Wireless WLAN by PCIe or USB. 3G supported by PCIe, on board SIM Card Holder ZigBee module supported GPS Module supported
	IOs 1x12x1.25mm Connector, include 1xRS232/485 1xCAN 2.0b 6xGPIOs
	RTC Battery Backup Power
<b>Security</b>	On board Registration Serial Number, and SHA-1 Encrypt/Decrypt Chip DS28E01 TPM(Optional)
<b>Power</b>	Input DC24V(9-36V), Locked Power Jack
<b>Mechanical</b>	Dimensions Connector Board:128×98mm
	Gross Weight 0.2Kg
<b>Environment Condition</b>	Temperature Operating: -0°C ~ +60°C(CMT), Option for Operating: -40°C ~ +85°C(WDT) Storage: -40°C ~ +85°C
	Humidity 10-85%RH (Non-Condensation), operating and storage



Optional Accessories		
➤ Power Adapter, lockable header	1pc	Optional for US, UK standard
➤ LVDS Cable,20Pin,DF14toDF14,L22cm	1pc	600100-01410V, VANTRON
➤ GPIOs CON,1X12X3.81mm	1pc(2pins)	210060-0112BEV,ANYTEK: TJ1231520000G
➤ SATA Data Cable,L7cm	1pc	600100-00603EV-7, VANTRON
➤ SATA POWER Cable, L9cm	1pc	600100-01622V-9,VANTRON

Order Information

NanoCOM-CB-00	Connector Board for NanoCOM TC PB
---------------	-----------------------------------

NOTES:

All specifications are subject to change without notice. Please contact Vantron for additional requirements.



**US Office: Vantron Technology, Inc.**  
 Address: 440 Boulder Court, Suite 300 pleasanton, CA 94566  
 Tel: 510-304-7666  
 Email: sales@vantrontechnology.com

**China Office: Chengdu Vantron Technology, Ltd**  
 Address: 3rd floor, 3rd building, No. 9, 3rd WuKe East Street, WuHou District, Chengdu, P.R. China 610045  
 Tel: 86-28-8512-3930/3931, 8515-7572/6320  
 Email: sales@vantrontechnology.com.cn