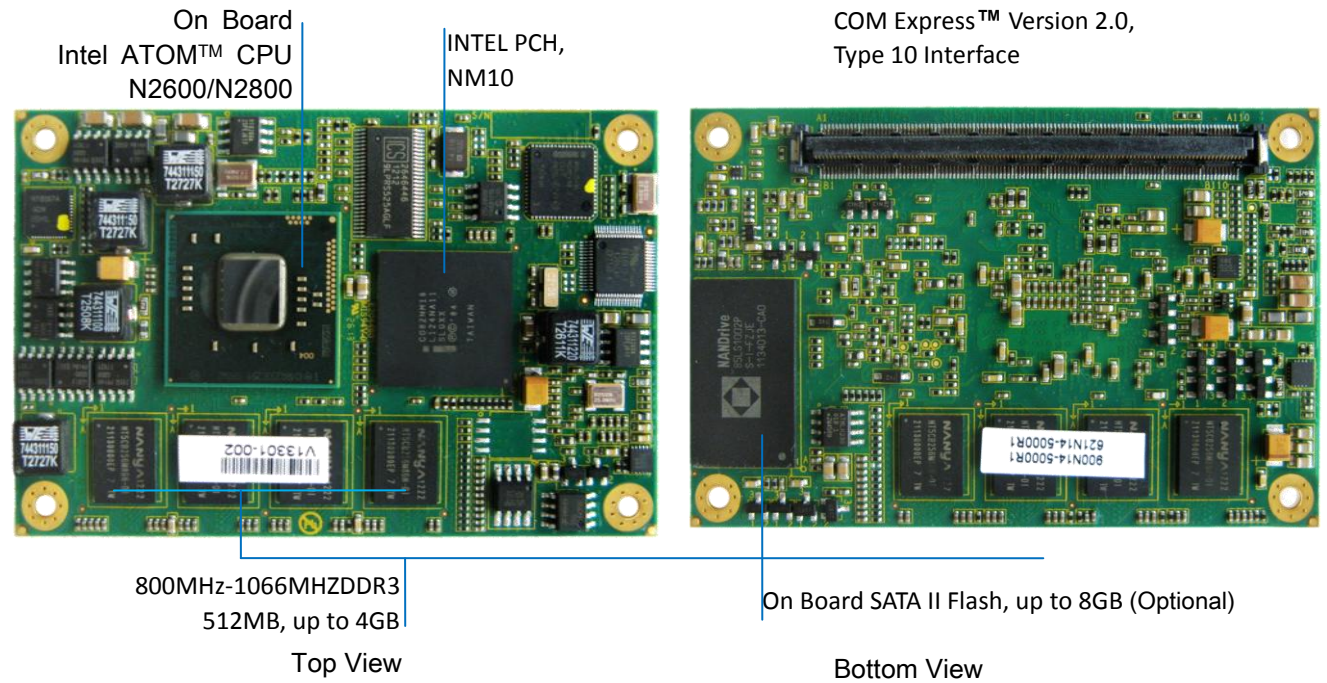
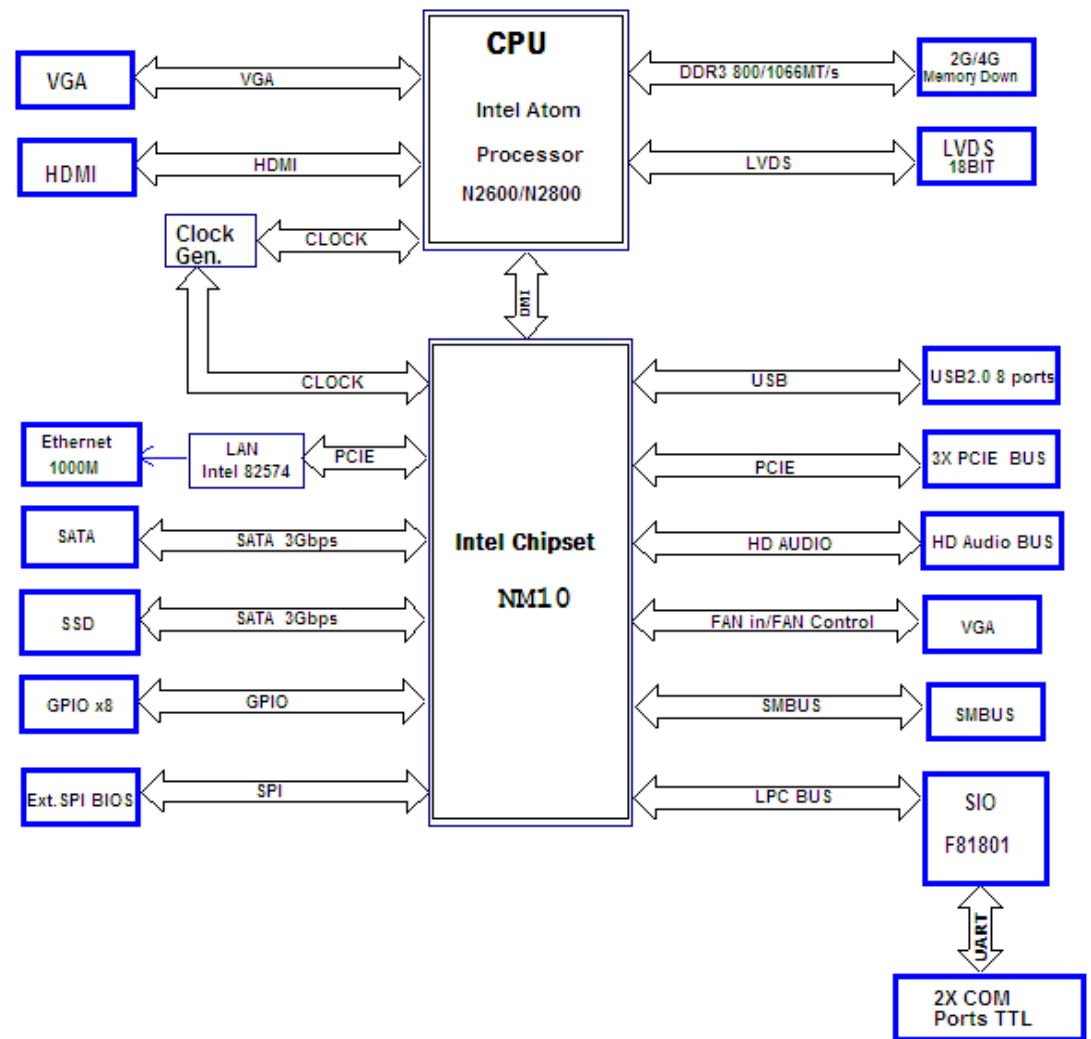


CPU Board: NanoCom CV, COM Express, CPU Module, with Intel® ATOM™ Cedar View N2600/N2800 Processor

Features	
■	Intel ATOM N2600, 1.6GHz, N2800, 1.86GHz
■	On board DDR3 800MHz-1066MHz, 512MB up to 4GB
■	Embedded SATA II SSD Hard Disk Internal, up to 8GB optional
■	1xHDMI 1.3a
■	COM Express™ Version 2.0, Type 10, Pin Out
■	Dual Display supported
■	Gigabit Ethernet
■	HD audio Interface
■	Windows, or Linux Supported
■	3xPCI-Express x1, 1xSATAII, 8xUSB2.0 Host
■	Windows, Linux Supported
■	AT Power Supply (5-21V , 5 VSB +/- 5%)
■	Wide Temperature Available: 0°C ~ +70°C



CPU Board Specifications		
Standard		COM Express Version 2.0, Type10 (Nano Size)
System	Processor	Intel® ATOM™, N2600/1.6GHz N2800/1.86GHz
	DDRAM	On Board DDRIII 800MHz-1066MHz, 512MB, up to 4GB
	Chipset	Intel® Platform Controller Hub NM10
	I/O Chipset	Intel® Platform Controller Hub NM10
	Storage	1x SATAII interface, 1xon board SSD, up to 8GB. (Optional)
H/W Status	Support CPU Temperature monitoring (Optional)	
Display	Chipset	Intel® Platform Controller Hub NM10 Support LCD/HDMI, simultaneous/dual view display Decode:DX10.1,HD, OGL3.0
	Memory	Shared memory up to 512MB
	Resolutions	Up to 1366 x 768 @ 60Hz for LVDS; Up to 1920 x 1200 @ 60Hz for HDMI
	LCD	18/24 bit Single-Channel LVDS panel interface
	HDMI	HDMI connector
I/O	Audio	AC97 Codec (HD Audio in ATOM)
	Ethernet	Intel 82574IT, 10/100/1000Base-TX
	USB	8xUSB2.0 Host
	GPIO	4 In or 4 Out
	PCIe	3x PCI-Express
	LPC	1x LPC Bus
	SMBus	1x SMBus
	I2C	1x I2C
	UART	2xUART Bus
	Watch Dog	Has Watch Dog Timer
	RTC	Supported
	Software	OS
SDK		Supported
Power	Input	5-21V , 5 VSB +/- 5%
Mechanical	Dimensions	COM Express Nano size: 84mm x 55mm
	Gross Weight	0.15Kg
Environment Condition	Temperature	Operating: -0°C ~ +60°C(CMT), Option for Operating: 0°C ~ +70°C(IDT) Storage: -40°C ~ +85°C
	Humidity	10-85%RH(Non-Condensation), Operating & Storage
	Cooling Mode	Fan less, Heat Sink
	Approvals	RoHS Compliance



Order Information	
NanoCOM CV-26-1GM	Nano PB, N2600 CPU, 1.6GHz CPU, 1GB DDR
NanoCOM CV-26-2GM-2GF	Nano PB, N2600 CPU, 1.6GHz CPU, 2GB DDR, 2GB Flash
NanoCOM CV-28-2GM	Nano PB, N2800 CPU, 1.86GHz CPU, 2GB DDR
NanoCOM CV-28-4GM	Nano PB, N2800 CPU, 1.86GHz CPU, 4GB DDR

Optional Accessories		
➤ Passive Heat-Sink	1pcs	VANTRON
➤ Screw, M2.5x12	4pcs	250010-00901EV, JFWJ: Screw, M2.5x12
➤ Spring Washer, M2.5	4pcs	250030-00006EV, JFWJ: Spring Washer, M2.5,
➤ Nut, Hex M2.5,	4pcs	250020-00006EV, JFWJ: Nut, Hex M2.5,
➤ Standoff, Aluminium	4pcs	250041-04805EV, Vantron:VT1001-00-00-61

NOTES:

All specifications are subject to change without notice. Please contact Vantron for additional requirements.

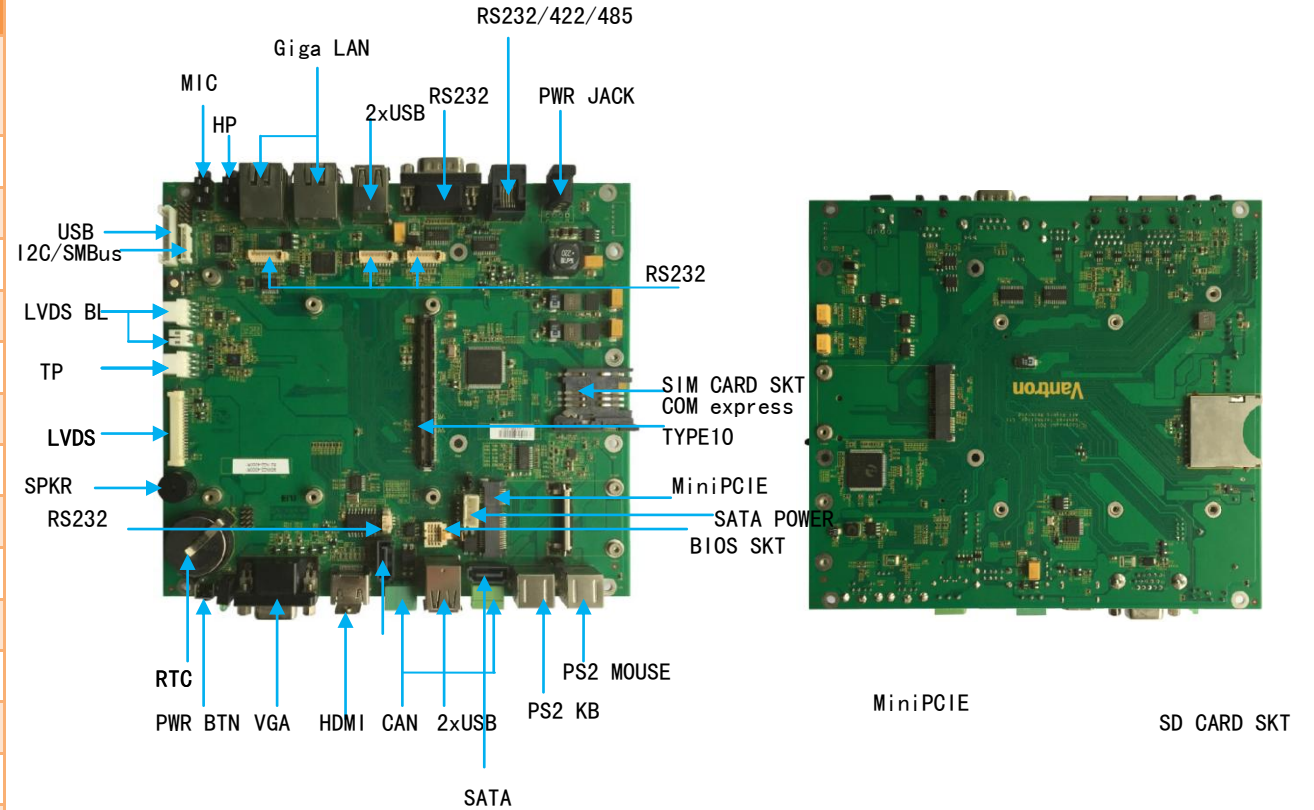


US Office: Vantron Technology, Inc.
Address: 440 Boulder Court, Suite
300 pleasanton, CA 94566
Tel: 510-304-7666
Email: sales@vantrontech.com

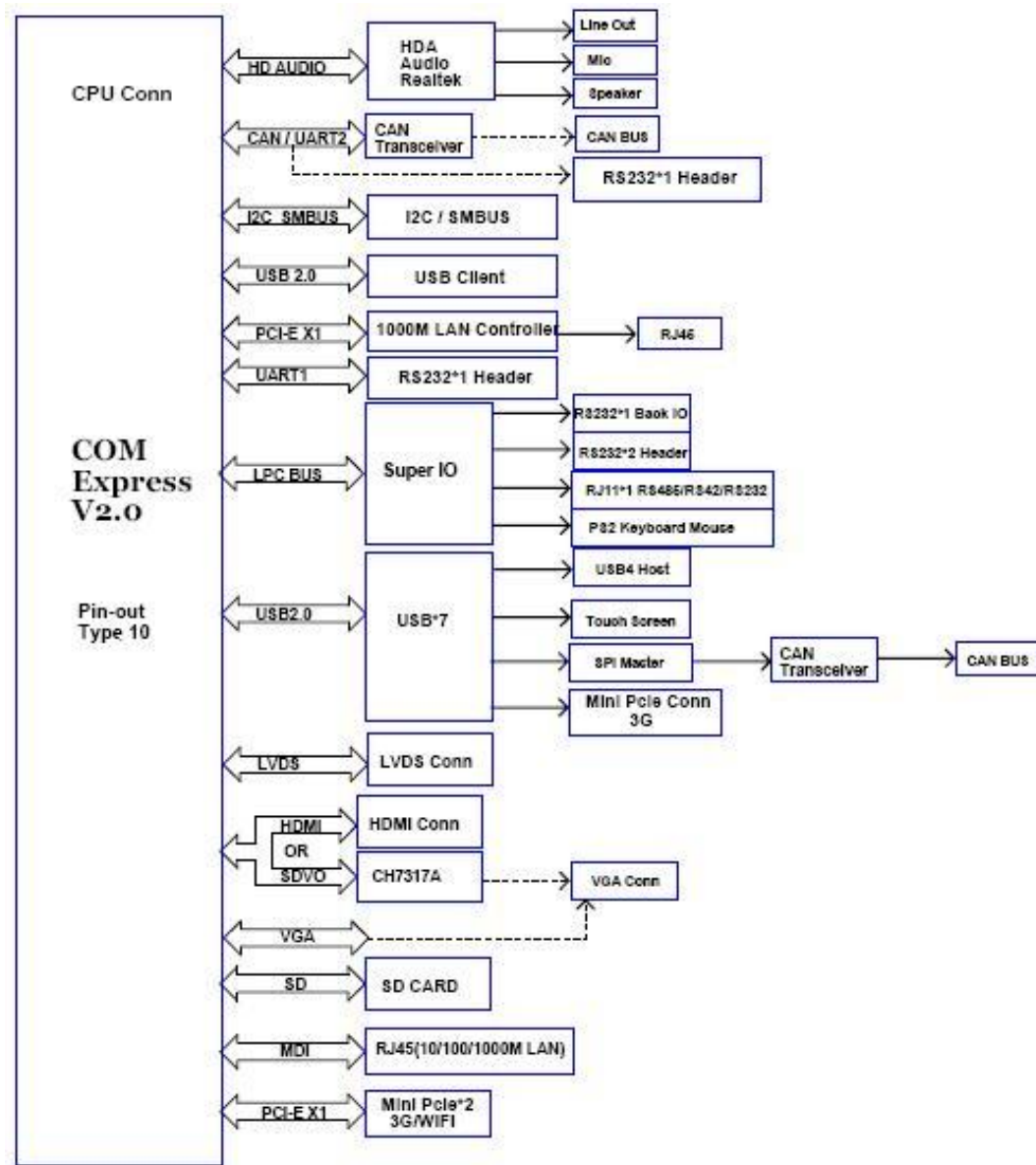
China Office: Chengdu Vantron Technology, Ltd
Address: 3rd floor, 3rd building, No. 9, 3rd WuKe East
Street, WuHou District, Chengdu, P.R. China 610045
Tel: 86-28-8512-3930/3931, 8515-7572/6320
Email: sales@vantrontech.com.cn

COME CB, Carrier Board for NANOCOM-BTA and NANOCOM CV

Features	
■	VT-NANOCOM-BTA, NANOCOM CV CPU board supported
■	COM Express™ TYPE10 supported
■	Dual Display: VGA Interface, LVDS Interface
■	1xHDMI Output
■	2xGigabit Ethernet
■	1xCAN2.0b Interface
■	Audio Head Phone Out, MIC IN
■	2xSata, 1xSD/MMC Storage
■	2.5" SATA Disk Mounting Holes Prepared
■	2xPCI-Express,for wireless and other Interfaces
■	On Board Buzzer Alarm
■	1xRS232(DB9), 1xRS232/422/485(RJ11),3xRS232(Int)
■	PS2 Keyboard and Mouse
■	RTC backup power Battery
■	Wide Range Power Supply 12/24V (9-36V)



Specifications			
	CPU Board	COM Express Type10, Support 0VT-NANOCOM-BTA, NANOCOM CV Intel® Atom™ Based, N2800/N2600, E3815/E3827/E3845 CPU	
Storage	Hard Disk	2xSATA (Only one for BTA), Locked connector	
	Extend Memory	1xMMC/SD	
Video	VGA	1xDB15 Interface	
	HD Video	1xHDMI Output	
Audio	Audio In	1xMIC IN 3.5mm	
	Audio Out	1xHead Phone Out 3.5mm,	
IOs	Ethernet	2x10/100/1000-BaseT (Giga Network)	
	USB	4xUSB2.0 Host	
	CAN	1xCAN 2.0b (3x3.81mm Terminal, locked)	
	Serial Ports		1xRS232 (DB9 Male)
			1xRS232/RS422/485 (RJ11)
			3xRS232 (1x9x1.25mm Conn.)
	Wireless	2xmini PCIE support WIFI and 3G	
	IO	1xPS/2 Mouse 1xPS/2 Keyboard	
	RTC	Battery Backup Power	
	Power	Input	12/24V DC (9-36V), 1x4x2.5mm connector optional
Mechanical	Dimensions	Connector Board:185x165mm	
	Gross Weight	0.3Kg	
Environment Condition	Temperature	Operating: -40°C ~ +85°C(WDT), Option for Operating: -0°C ~ +60°C(CMT), Storage: -40°C ~ +85°C	
	Humidity	10-85%RH (Non-Condensation), operating and storage	



NOTES: All specifications are subject to change without notice. Please contact Vantron for additional requirements.



US Office: Vantron Technology, Inc.
 Address: 440 Boulder Court, Suite
 300 pleasanton, CA 94566
 Tel: 510-304-7666
 Email: sales@vantrontech.com

China Office: Chengdu Vantron Technology, Ltd
 Address: 3rd floor, 3rd building, No. 9, 3rd WuKe East
 Street, WuHou District, Chengdu, P.R. China 610045
 Tel: 86-28-8512-3930/3931, 8515-7572/6320
 Email: sales@vantrontech.com.cn