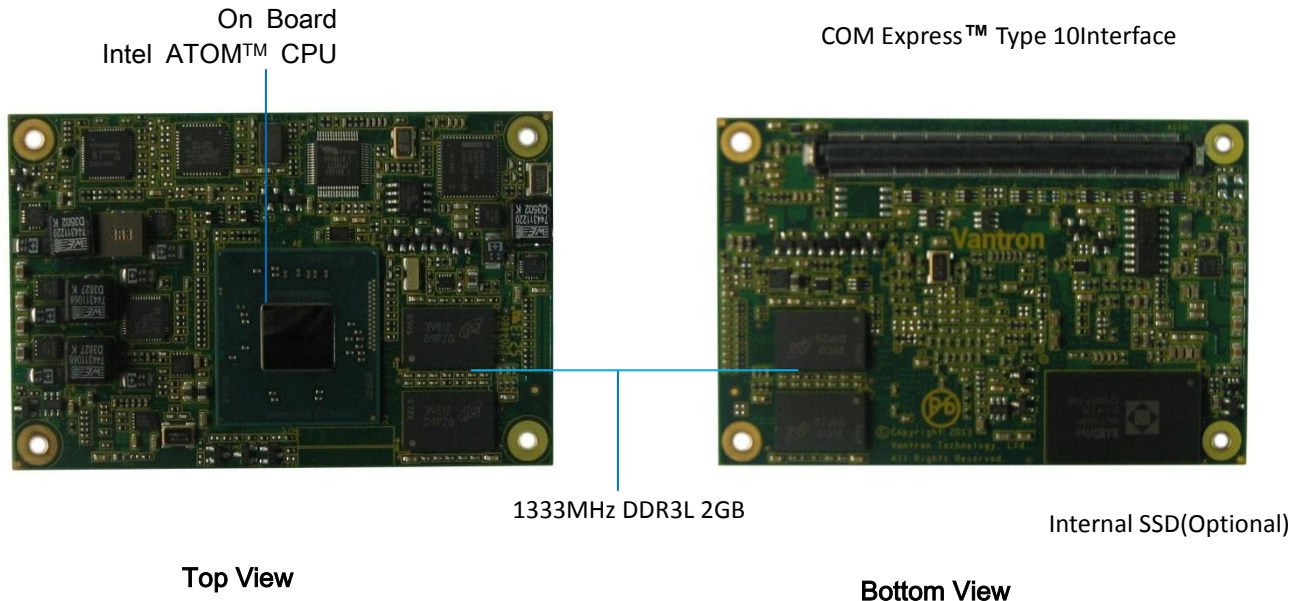
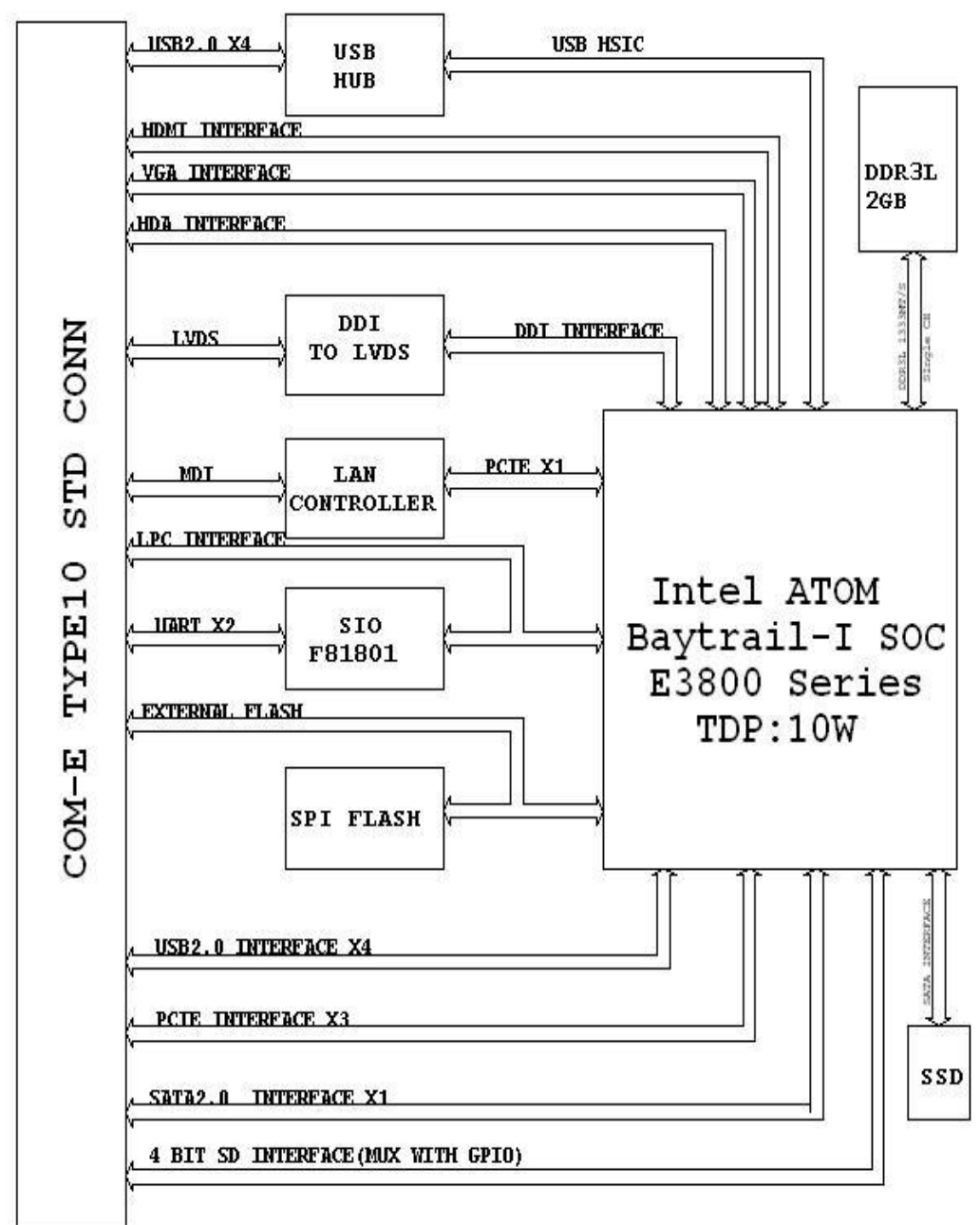


CPU Board: NanoCOM BTA, COM Express, CPU Module, with Intel® ATOM™ E3827/E3845 /E3815 Processor

Features	
■	Intel ATOM E3845/1.91GHz,E3827/1.75GHz,E3815/1.46GHZ
■	Embedded SATA II SSD Hard Disk Internal 8GB ( optional )
■	1xMMC/SD card interface Mux with GPIO
■	HDMI, VGA ,LVDS Output Interface
■	1x10/100/1000M-BaseT Ethernet, 8xUSB 2.0 Host
■	2xRS232,Buzzer Alarm
■	1x HDA interface
■	Windows, or Linux Supported
■	Power Input DC12V and DC5V ,Support Auto Power up
■	Wide Temperature Available: -40°C ~ +85°C



CPU Board Specifications			
Standard		COM Express Type10 ( Nano Size)	
System	Processor	Intel® ATOM™, E3827/1.75GHz, E3845/1.91GHz, E3815/1.46GHz	
	DDR RAM	On Board DDRIII 1333MT/s(E3845&E3827)/ 1066MT/s (E3815), up to 2GB	
	Storage	On board SATA2.0 SSD 8GB(OPTIONAL)	
	H/W Status	Support CPU Temperature monitoring	
Display	Chipset	Gen7@>300MHz,Support LVDS/HDMI/VGA, simultaneous/ dual view display Decode:MPEG2, h.264, MVC, VC-1/WMV9 @1080p, VP8 Encode:MPEG2, h.264 @ 1080p	
	Memory	Shared memory up to 256MB	
	Resolutions	Up to 1680x1050@ 60Hz for LVDS; 1920x1200@60Hz for HDMI 2560x1600@60Hz for VGA	
	LCD	18/24 bit Single-Channel LVDS panel interface	
	VGA	Support up to 2560x1600@60HZ resolution	
	Audio	AC97 Codec (HD Audio in ATOM) interface	
I/O	Ethernet	WG82574IT,10/100/1000Base-TX	
	USB	8xUSB2.0 Host	
	GPIO	x8 input/Out: Multiplexed with 4 bit SD Pins(Default)	
	PCIe	3x PCI-Express2.0	
	LPC	1x LPC Bus	
	UART	2x UART	
	SATA	1x SATA2.0	
	SDIO	1x SD interface( Multiplexed with GPIO)	
	SMBus	1x SMBus	
	I2C	1xI2C Bus	
	RTC	Supported	
	Software	OS	Windows, Linux Supported
		SDK	Supported
Power	Input	+5V/2A, +12V/2A	
Mechanical	Dimensions	COM Express Nano size: 84mm x 55mm	
	Gross Weight	0.15Kg	
Environment Condition	Temperature	Operating: -40°C ~ + 85°C Storage: -40°C ~ +85°C	
	Humidity	10-85%RH(Non-Condensation),Operating & Storage	
	Cooling Mode	Fan less, Heat Sink	



NOTES:

All specifications are subject to change without notice. Please contact Vantron for additional requirements.



US Office: Vantron Technology, Inc.  
Address: 440 Boulder Court, Suite 300 pleasanton, CA 94566  
Tel: 510-304-7666  
Email: sales@vantrontech.com

China Office: Chengdu Vantron Technology, Ltd  
Address: 3rd floor, 3rd building, No. 9, 3rd WuKe East Street, WuHou District, Chengdu, P.R. China 610045  
Tel: 86-28-8512-3930/3931, 8515-7572/6320  
Email: sales@vantrontech.com.cn