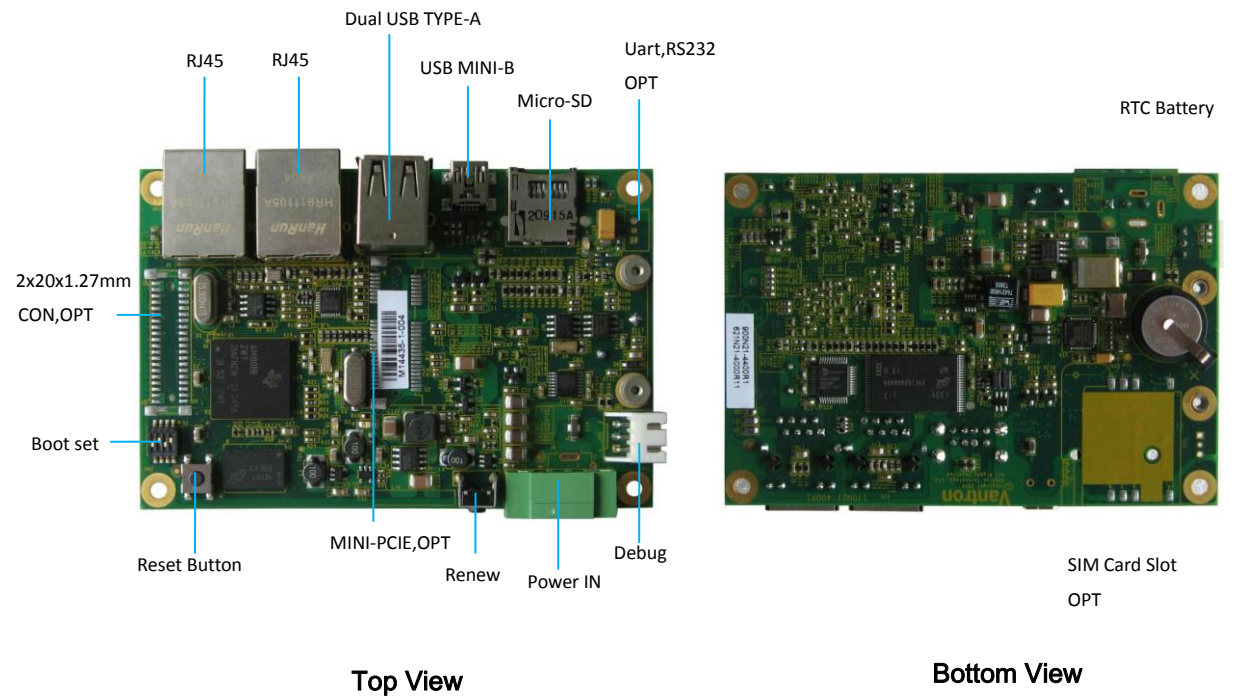
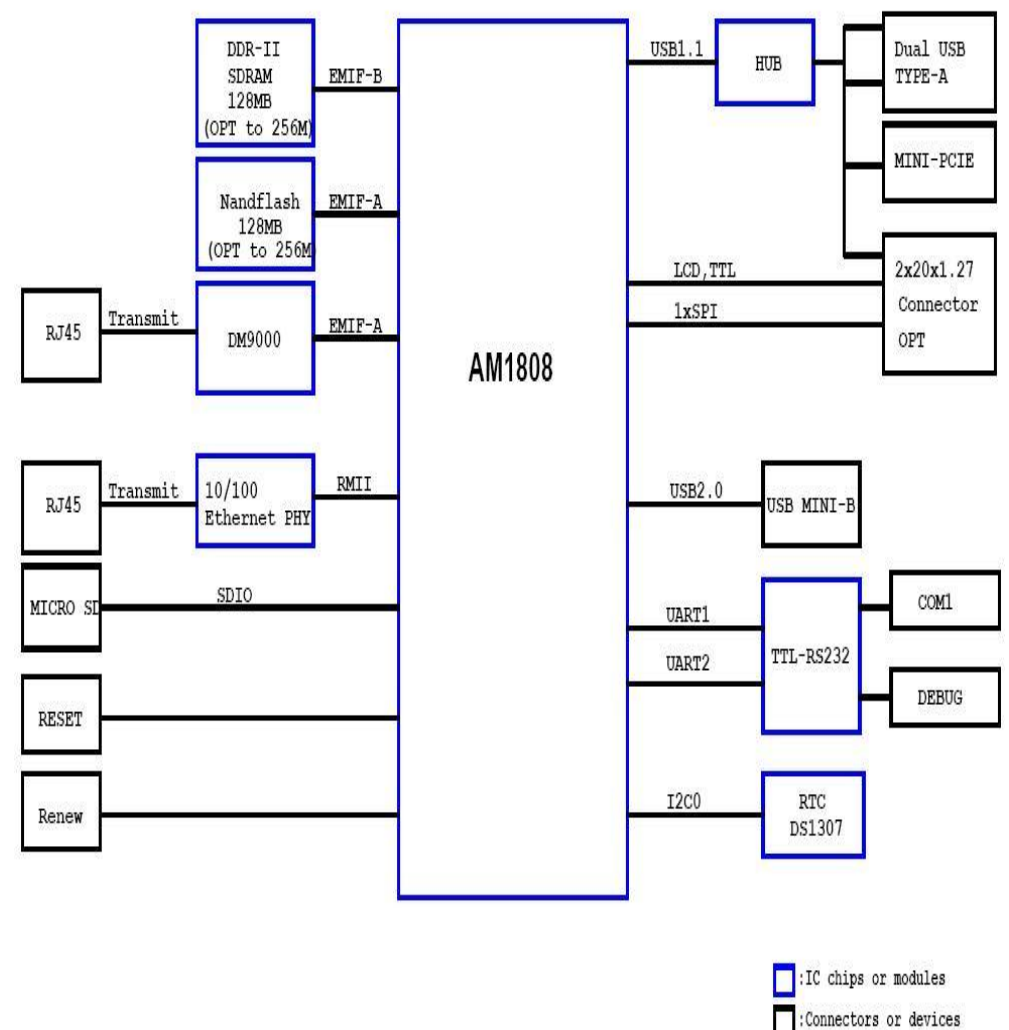


CPU Board: VT-AM1808-EB, single Board computer, with TI ARM9 Processor

Features	
■ CPU	: TI AM1808, 375MHz(OPT to 456MHz), Low Power Processor
■ On Board DDR	, 156MHz, 128MB (OPT to 256MB) , 128MB Nand Flash (OPT to 256MB)
■ 1xMicro SD Card	
■ 2x10/100-BaseT Ethernet,RJ45	
■ One MINI-PCIE connector with USB 1.1 Host (OPT)	
Support 3G Module with SIM slot	
■ 2xRS232	: 1x3x2.5,RA,Connector for debug 1x3x2.0,VER, Connector for customer (OPT)
■ 3xUSB1.1 Host: Dual TPPE-A,2X20x1.27 (OPT)	
1XUSB 2.0 OTG,MINI-B	
■ 1XSPI	, 2X20x1.27 (OPT)
■ 1xLCD(565),2X20x1.27 (OPT)	
■ Fanless, Rugged Design	
■ WinCE, or Linux	
■ Power Input, Wide Range (6-40V), Terminal,1x3x3.81	



CPU Board Specifications			
System	Processor	TI AM1808 Low Power ARM9 Processor	
	On Board Memory	RAM: DDR 156MHz, 128MB ROM: NAND Flash, 128MB	
	Extended Memory	1xmicro-SD	
Display	Video Out	TTL, TFT LCD interface, TFT, Typical 800x600, 16bit. Up to 1024x1024 pixel Resolution. (Optional)	
Peripheral	LAN	2x10/100Mbps Ethernet, RJ45	
I/Os	USB	4xUSB1.0 Host 2 in dual USB Type-A, for customer, 1 in Mini-PCle Slot, for 3G 1 in 2X20x1.27 connector (OPT) 1XUSB 2.0 OTG,USB MINI-B	
	COM Port	1xRS232 ,1x3x2.5,RA,Connector for debug , 1XRS232,1x3x2.0,VER, Connector for customer(OPT)	
	SPI	1 in 2X20x1.27 connector (OPT)	
	Wireless	Optional Support USB WiFi module on a mini-PCle slot.	
	IOs	1xRenew Button 1xReset Button	
	RTC	Supported, Separately RTC chip	
	Software	OS	Supported: Linux, WinCE
	SDK	Supported	
Power	Input	6-40V Input,	
Mechanical	Dimensions	105 x 70mm	
Environment Condition	Temperature	Operating:-20°C ~ +70°C, (ETR:-40°C ~ +85°C optional) Storage: -40°C ~ +85°C	
	Humidity	10-85%RH (Non-Condensation), operating and storage	
	Cooling Mode	Fanless	



Order Part Example	
VT-AM1808-EB-128F-I	TI, AM1808, 375MHz, 128MB DDR, 128MB Flash, ETR
VT-AM1808-EB-128F	TI, AM1808, 375MHz, 128MB DDR, 128MB Flash

NOTES:

All specifications are subject to change without notice. Please contact Vantron for additional requirements.



US Office: Vantron Technology, Inc.
Address:440 Boulder Court, Suite 300 pleasanton, CA 94566
Tel: 510-304-7666
Email: sales@vantrontech.com

China Office: Chengdu Vantron Technology, Ltd
Address: 3rd floor, 3rd building, No. 9, 3rd WuKe East Street, WuHou District, Chengdu, P.R. China 610045
Tel: 86-28-8512-3930/3931, 8515-7572/6320
Email: sales@vantrontech.com.cn