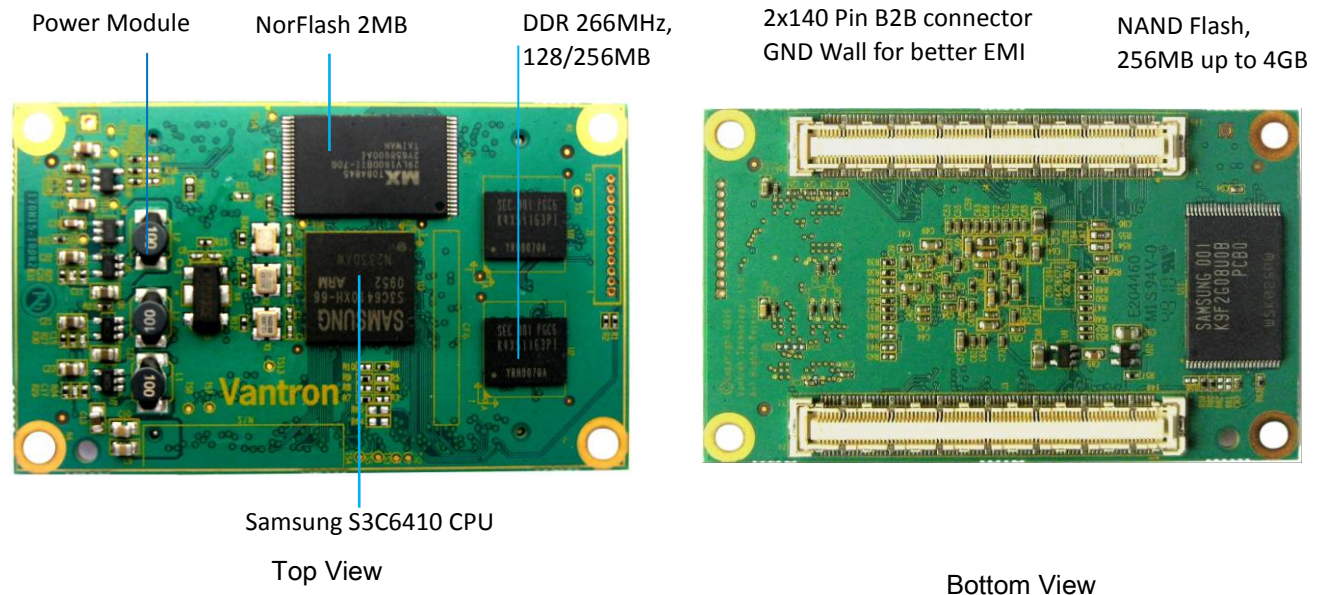
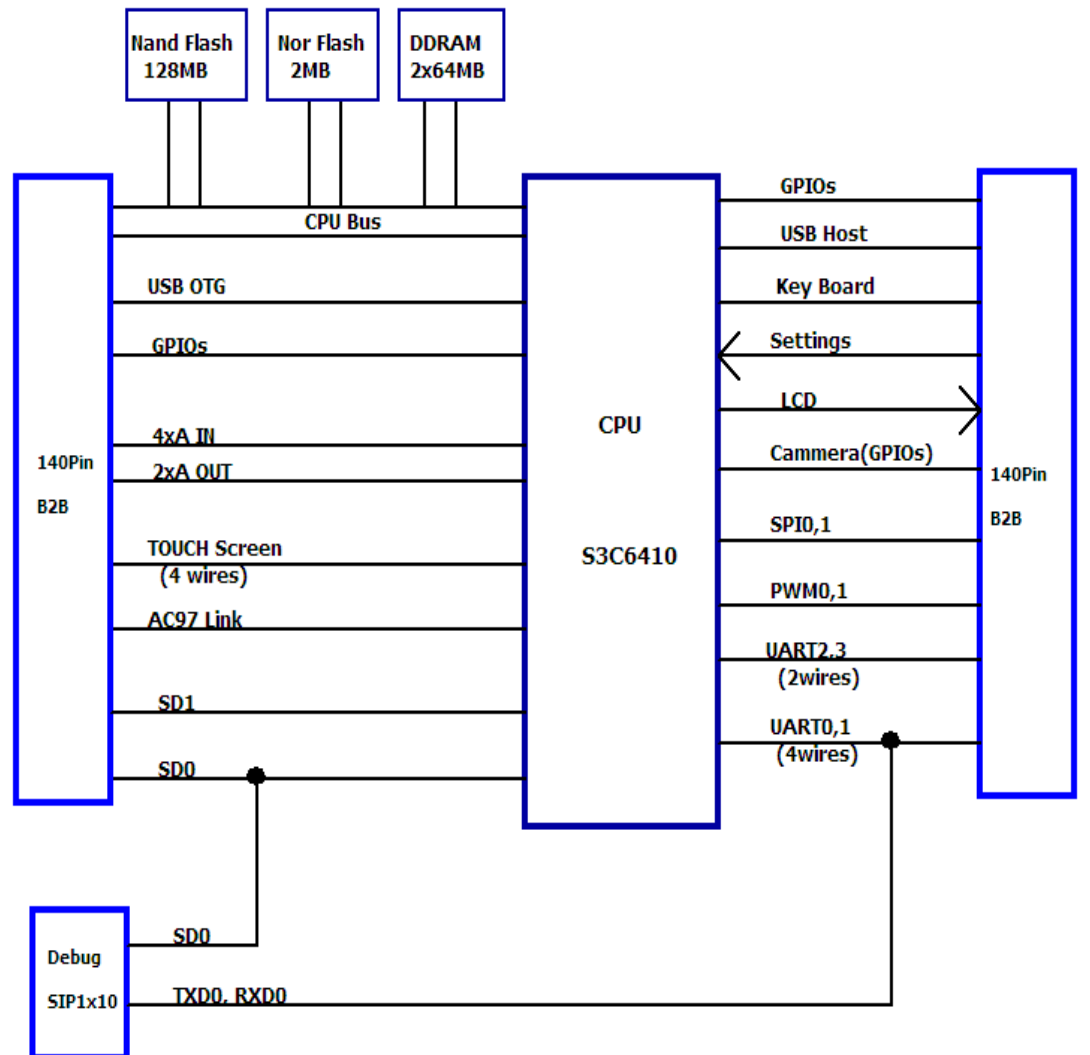


CPU Board: VT-6410-PB, CPU Module, with Onboard Samsung S3C6410 ARM11 Processor

Features	
■	Samsung ARM11 S3C6410,667MHz,Low Power Processor
■	On Board DDR 266MHz, 128MB (256MB optional)
■	On Board Nor Flash, 2MB, (For Boot and Configurations)
■	On Board NAND Flash, 256MB, (expandable up to 4GB)
■	2x140Pin B2B reliable Connector, EMI Consideration
■	800x600, 16bit TFT LCD Supported, 2D,3D Accelerator
■	AV Out from CPU
■	3xMMC/SD Interface
■	4xUART(2 x 2wiers, 2 x 4wires), 2xSPI
■	1xUSB 2.0 OTG, 2xUSB Host 1.1
■	CMOS Camera Interface Supported
■	Embedded Linux, WinCE, Supported
■	Power Supply +5V. System can work lower to 3.6V



CPU Board Specifications		
System	Processor	Samsung S3C6410, up to 667MHz, Low Power ARM11 Processor Floating unit, 2D,3D Accelerator
	DDRAM	DDR 266MHz, 128MB (256MB optional)
	Flash	NAND Flash, 256MB, (up to 4GB) Nor Flash, 2MB.
Display	Storage	3xMMC/SD storage supported 1xCompact Flash Spec (Rev 3.0)
	LCD	1/2/4/8bit Non Palette mode, max 2048x2048 16/18/24bit TFT, TTL, Typical 800x600x16bit. Pixel Clock up to 30MHz
	VGA	Extended on CB
	AV	AV Output, (640x480 or 320x240)
Audio	Touch Screen	4 wires touch screen interface
	AC97	AC97 I2s interface
I/Os	COM Port	4xUART(2 x 2wiers, 2 x 4wires), 2xSPI
	USB	1xUSB 2.0 OTG, 2xUSB Host 1.1
	Keypad	8x8 Keypad
	ADC/DAC	4xAnalog IN,12bit,200Kbps 2xAnalog Out,12bit
	RTC	Supported on PB, Battery backup power
	GPIO	Bring CPU's other GPIO Pin out
	Extended I/O On CB	Ethernet
Software	Wireless	Blue tooth, 802.11a/b/g supported by MMC/SD on CB
	OS	Supported: Linux, WinCE
	SDK	Supported
Power	COM Port	RS422/485 supported on CB
	Input	+5V (System can work lower to 3.6V)
Environment Condition	Dimensions	75 x 45 mm
	Temperature	Operating: -10°C ~ +70°C (Extended Range -40°C ~ +85°C optional) Storage: -40°C ~ +85°C
	Humidity	10-85%RH(Non-Condensation), Operating & Storage
	Cooling Mode	Fanless



Order Information

VT-6410-PB-128M-256F	Samsung S3C6410, 667MHz CPU,128MB DDR,256MB Flash
VT-6410-PB-256M-256F	Samsung S3C6410, 667MHz CPU,256MB DDR,256MB Flash

Suggested Mating Connectors

➤ B2B Mating Connectors 2pcs HIROSE: FX10A-140P/14-SV(91)

NOTES:

All specifications are subject to change without notice. Please contact Vantron for additional requirements.



US Office: Vantron Technology, Inc.
 Address: 440 Boulder Court, Suite 300 pleasanton, CA 94566
 Tel: 510-304-7666
 Email: sales@vantrontech.com

China Office: Chengdu Vantron Technology, Ltd
 Address: 3rd floor, 3rd building, No. 9, 3rd WuKe East Street, WuHou District, Chengdu, P.R. China 610045
 Tel: 86-28-8512-3930/3931, 8515-7572/6320
 Email: sales@vantrontech.com.cn